

*Upgrade NMEA 0183 equipment  
to NMEA 2000!*



## NK-80

### Extend NMEA0183 Devices into NMEA2000 Network

AMEC NK-80 is a gateway between NMEA 0183 electronics devices and NMEA 2000 device/network. NK-80 allows users to connect NMEA 2000 network with their existing NMEA 0183 devices.

### Support Latest NMEA2000 Sentences

AMEC NK-80 supports wide range of NMEA 2000 sentences with latest NMEA association released documents.

### User-friendly Configuration Utility

AMEC NK-80 also provides a configuration which allow user to modify NK-80 baud rate and manage/filter NMEA2000/NMEA0183 sentences easily.

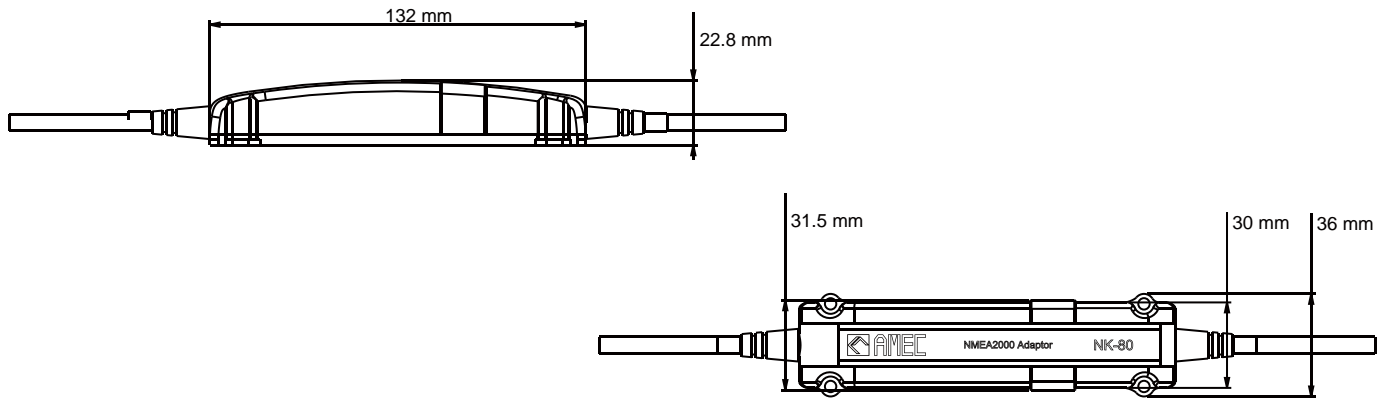
- ▶ NMEA 2000 Certified
- ▶ Upgrade NMEA 0183 equipment to NMEA 2000
- ▶ Conversation between NMEA 2000 and NMEA 0183
- ▶ Full NMEA 2000 and NMEA 0183 compliance
- ▶ Compact size, easy for installation
- ▶ High-Performance 32-bit RISC CPU
- ▶ Build-in memory storage
- ▶ Configurable through a serial connection
- ▶ Fully galvanically isolated for electrical spike protection

### KEY FEATURES

### APPLICATION

- ▶ Leisure Boat
- ▶ Fishing Boat
- ▶ NMEA0183 devices/sensors
- ▶ Chartplotter
- ▶ Navigation Software

## MECHANICAL



## SPECIFICATIONS

### ▶ APPLICABLE STANDARDS

NMEA 2000 standard version 1.2 (2004)

### ▶ CERTIFICATIONS

NMEA 2000 ©

### ▶ NMEA 2000 CAN Bus line Transmitter

Parameter	Conditions	Min.	Max.
Recessive bus voltage	VTXD = VDD; no load.	2.0V.	3.0V.
Dominant bus voltage NET-H	VTXD = 0.8V	2.75V	4.5V
Dominant bus voltage NET-L	VTXD = 0.8V	0.5V	2.25V
Recessive differential output voltage	VTXD = 2V; no load	-500 mV	50 mV
Dominant differential output voltage	40Ω < RL < 60Ω	1.5V	3.0V

### ▶ NMEA 2000 CAN Bus line Receiver

NET-H, NET-L common-mode input resistance	typical 100 KΩ
Differential input resistance	typical 100 KΩ

### ▶ Input/Output

Configurable	4,800, 9,600, 38,400 (default),
Baud rate	57,600, 115,200 bps

### ▶ POWER SUPPLY

Supply Voltage from CAN Bus	12VDC / 24VDC (Typical)
-----------------------------	-------------------------

### ▶ ELECTRICAL

NMEA 2000 Load Equivalency Number (LEN) 1 (under 50 mA)

### ▶ ENVIRONMENTAL

Operation Temperature	-20°C~+55°C
Storage Temperature	-25°C~+70°C
Water Proofing	IP54
Humidity	0~80%RH

### ▶ PHYSICAL

Length	132 mm
Width	30 mm
Height	22.8 mm
Cable Lengths	NMEA 2000 cable: 0.1m NMEA 0183 cable: 1 m
Weight	< 150 g

Note: Specifications are subject to change without prior notice.



Alltek Marine Electronics Corporation

7F, No. 605, Ruei Guang Rd., Neihu, Taipei, Taiwan. 114

Tel: +886-2-2627-1599 Fax: +886-2-2627-1600

[www.alltekmarine.com](http://www.alltekmarine.com)

The AIS Specialists

### Sales Contact

For more information, please contact your local representative or Alltek Marine at

[sales@alltekmarine.com](mailto:sales@alltekmarine.com)

Distributor/Dealer