

**To Explore,  
and Be in Control!**



### Product Overview

CAMINO-108 is AMEC's next generation class B AIS transponder allowing you to broadcast your data to other AIS equipped vessels, and receive their data by viewing on dedicated chart plotter or PC – the essential way to improve collision avoidance on the water.

CAMINO-108 is designed to deliver high performance AIS transponder solution. The optimized receive and transmit capability is now brought into a compact and robust housing which is less than half the size of its previous generation.

The dual-channel receivers enable AIS vessel monitoring of all AIS signals including class A, class B, AtoN, SART. Its NMEA2000, NMEA0183 and waterproof USB port ensure simple integration with chart plotters and PCs. Built-in SD card slot makes data logging of AIS data easier than ever.

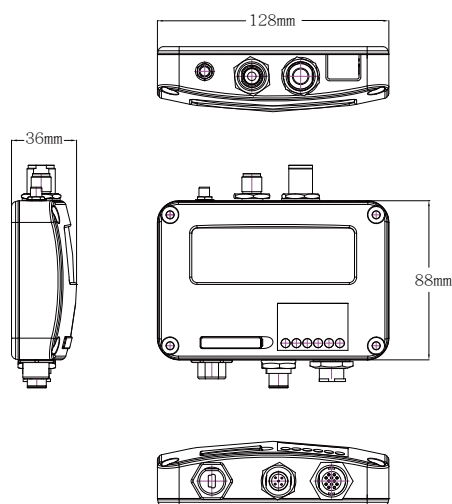
### Key Features

- ▶ Next generation high performance AIS Class B transponder
- ▶ NMEA2000, NMEA0183, and USB connectivity
- ▶ Optional Wi-Fi connectivity
- ▶ Support SD data logger card slot
- ▶ Built in high-sensitivity GPS receiver
- ▶ Optional silent mode (Tx off) operation
- ▶ Compact and stylish housing design
- ▶ Low power consumption, 12 / 24V DC input
- ▶ Supplied with AIS Viewer and Configuration software for PC

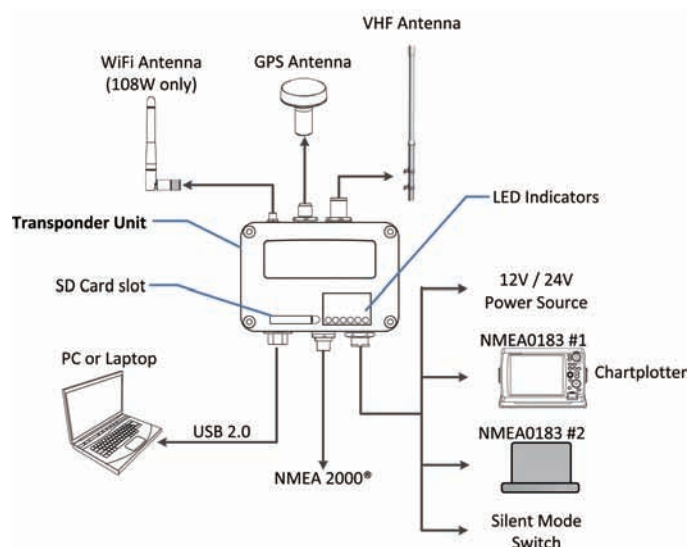
### Ordering Information

Model	Interfaces Supported				
	NEMA0183	NEMA2000	USB	SD card	WiFi
CAMINO-108	•	•	•	•	•
CAMINO-108W	•	•	•	•	•

## DIMENSIONS



## CONNECTION DIAGRAM



## SPECIFICATIONS

### ▶ APPLICABLE STANDARDS

IEC 62287-1 Ed. 2, 2010	IEC 61108-1 Ed. 1, 2003
IEC 61162-1 Ed. 3, 2007	IEC 60945 Ed. 4, 2002
IEC 61162-2 Ed. 1, 1998	ITU-R M.1371-4, 2010

### ▶ VHF TRANSCEIVER

Frequency Range	156.025 MHz ~ 162.025 MHz
Channel Bandwidth	25 KHz
Modulation	GMSK / FM
Data Rate	9,600 bps
Number of AIS Transmitter	1
Number of AIS Receiver	2 (one time-shared between AIS and DSC)
Number of DSC Receiver	1 (time-shared between AIS and DSC)
AIS Channel 1	CH 87B (161.975 MHz)
AIS Channel 2	CH 88B (162.025 MHz)
Tx Power Output	2 Watt (33 dBm ± 1.5 dB)
Rx Sensitivity	< -107 dBm @ 20% PER
Rx Message Format	AIS Class A & B messages

### ▶ DSC RECEIVER

Modulation	1,300 Hz / 2,100 Hz FSK
Data Rate	1,200 bps ± 30 ppm
Spurious Response Rejection	≥ 70 dB for signal @ -104 dBm; BER ≤ 1 %
Blocking	≥ 84 dB for signal @ -104 dBm; BER ≤ 1 %

### ▶ GPS RECEIVER (integrated)

Receiving Channels	48 channels
Accuracy	IEC 61108-1 compliant
Output Rate	1 Hz

### ▶ ENVIRONMENTAL

Operating Conditions	IEC 60945 "protected" category
Operating Temperature	-15°C ~ 55°C
Waterproof	IPX2

### ▶ LED INDICATION

Power (green)	System power on / off
Error (red)	MMSI not set / BIIT error
Rx (green)	Receiving AIS data
Tx/Silent (green/red)	Transmitting AIS data / Silent mode
SD (green)	Accessing SD card
WiFi (green)	WiFi traffic in active (CAMINO-108W only)

### ▶ CONNECTION INTERFACE

GPS Antenna Connector	TNC (Female)
VHF Antenna Connector	PL-259 (Female)
NMEA2000	Standard connector
NMEA 0183 (RS-422)	Support two NMEA0183 interfaces
	Baud rate configurable (default 38,400 bps)
	Separate Tx/Rx baud rate
	Standard IEC 61162-1 / IEC 61162-2 sentences
Silent Mode Setting	Set by dedicated pins in NMEA0183 connector
USB	Mini type, waterproof
Wireless Connection	IEEE 802.11 b/g/n (CAMINO-108W only)

### ▶ POWER SUPPLY

Supply Voltage	12V / 24V DC
Power Consumption	Typically less than 3W average @ 12V DC

### ▶ PHYSICAL

Width	128 mm (5.51 inch)
Height	36 mm (1.97 inch)
Depth	88 mm (7.87 inch) (exclude connector)
Weight	250 g

### ▶ SOFTWARE TOOL

AMEC AIS Configuration	PC configuration utility
AMEC AIS Viewer	AIS Viewer for PC

Note: Specifications are subject to change without prior notice.



The AIS Specialists

Alltek Marine Electronics Corporation

7F, No. 605, Ruei Guang Rd., Neihu, Taipei, Taiwan 11492  
Tel: +886-2-2627-1599 Fax: +886-2-2627-1600

## Sales Contact

For more information, please contact your local representative or Alltek Marine at

sales@alltekmarine.com

[www.alltekmarine.com](http://www.alltekmarine.com)

Distributor/Dealer