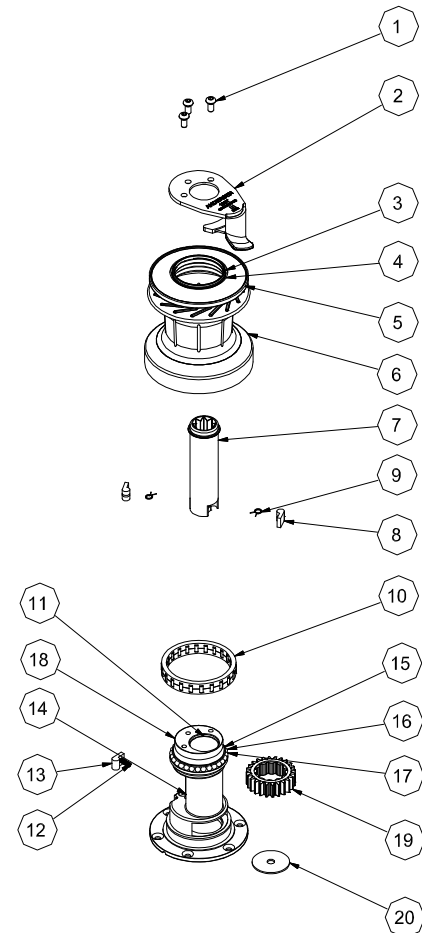


PARTS LIST 12ST

Version 1.2

POS.	QTY.	DESCRIPTION	PART.NO.
1.	3	Screw	ISO 7380-A4-M6x12
2.	1	Selftailing arm	747803
3.	1	Circlip	726400U
4.	1	Disc spring	726300
5.	1	Driving plate	726500
6.	1	Drum cpl.	726802
7.	1	Drive shaft cpl.	726700
8.	2	Pawl	713200
9.	2	Arm spring	713300
10.	1	Roller bearing cpl.	727400
11.	1	Bushing <i>Not removable</i>	716501
12.	1	Spring	533500
13.	1	Pawl	533400
14.	1	Spring tack <i>Not removable</i>	DIN 1481-A2-Ø3x10MM.
15.	1	Retaining ring <i>Not removable</i>	726600
16.	14	Ball, stainless steel	724900
17.	15	Ball, POM	724902
18.	1	Base	731705
19.	1	Ratchet gear	711701
20.	1	Insert plate	727500



SERVICE KIT 1

FOR WINCH 12ST- 28ST- 40ST- 40ST FS
Part. No. 710001

The service kit consists:

QTY.	DESCRIPTION	PART. NO.
1	Screw	ISO 7380-A4-M6X12
1	Screw	DIN 964-A4-M6X10
4	Spring	533500
2	Pawl	713200
1	Pawl	533400
4	Armspring	713300
2	Ball, Stainless steel	724900
2	Ball POM	724902
1	Retaining ring	726600
1	Locking pin	DIN 1481-A2-3X10
1	Circlip	726400U
1	Circlip	590300U

Please unfold the this page to see the Complete Part Lists and Exploded Views for the winches.

Note! Variations can occur due to changes of the winch specifications.

Manufactured by:

Fr. Andersens Maskinfabrik A/S

DK – 7100 Vejle Denmark

www.andersenwinches.com

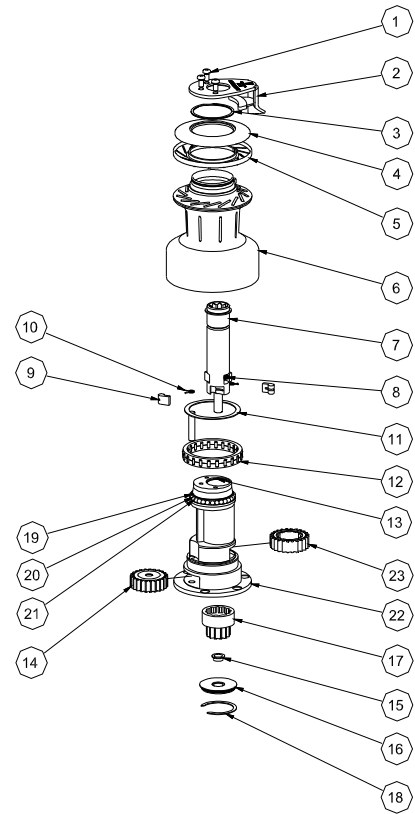
E-mail: info@andersenwinches.com



PARTS LIST 28ST

Version.1.2

POS.	QTY.	DESCRIPTION	PART.NO.
1.	3	Screw	ISO 7380-A4-M6x12
2.	1	Self-tailing arm	747802
3.	1	Cir clip	726400U
4.	1	Disc spring	726300
5.	1	Driving plate	726500
6.	1	Drum complete.	729104
7.	1	Drive shaft complete.	729000
8.	2	Spring	533500
9.	2	Pawl	713200
10.	2	Arm spring	713300
11.	1	Shaft ring	729700
12.	1	Roller bearing complete.	727400
13.	2	Bushing <i>Not removable</i>	716501
14.	1	Gear wheel complete.	729600
15.	1	Bushing	729501
16.	1	Insert plate	729503
17.	1	Ratchet gear	729400
18.	1	Circlip	729502U
19.	1	Retaining ring <i>Not removable</i>	726600
20.	14	Ball bearing, stainless steel	724900
21.	15	Ball bearing, POM	724902
22.	1	Base	731800
23.	1	Ratchet gear	711701



PARTS LIST 40ST

Version 1.1

POS.	QTY.	DESCRIPTION	PART NO.
1.	3	Screw	DIN 964-A4-M6x10
2.	1	Top cap	535100
3.	1	Selftailing arm	535200
4.	1	Circlip	590300U
5.	1	Disc spring	535500
6.	1	Driving plate	535600
7.	1	Drum cpl.	535401
8.	1	Drive shaft cpl.	535300
9.	2	Spring	533500
10.	2	Pawl	713200
11.	2	Arm spring	713300
12.	1	Roller bearing cpl.	727400
13.	2	Bushing <i>Not removable</i>	716501
14.	1	Base	741200
15.	1	Bushing	536300
16.	1	Insert plate	536200
17.	1	Retaining ring <i>Not removable</i>	726600
18.	14	Ball, stainless steel	724900
19.	15	Ball, POM	724902
20.	1	Ratchet gear	536100
21.	1	Bushing	536000
22.	1	Ratchet gear	711701
23.	1	Shaft	536400
24.	1	Gear wheel cpl.	729604

