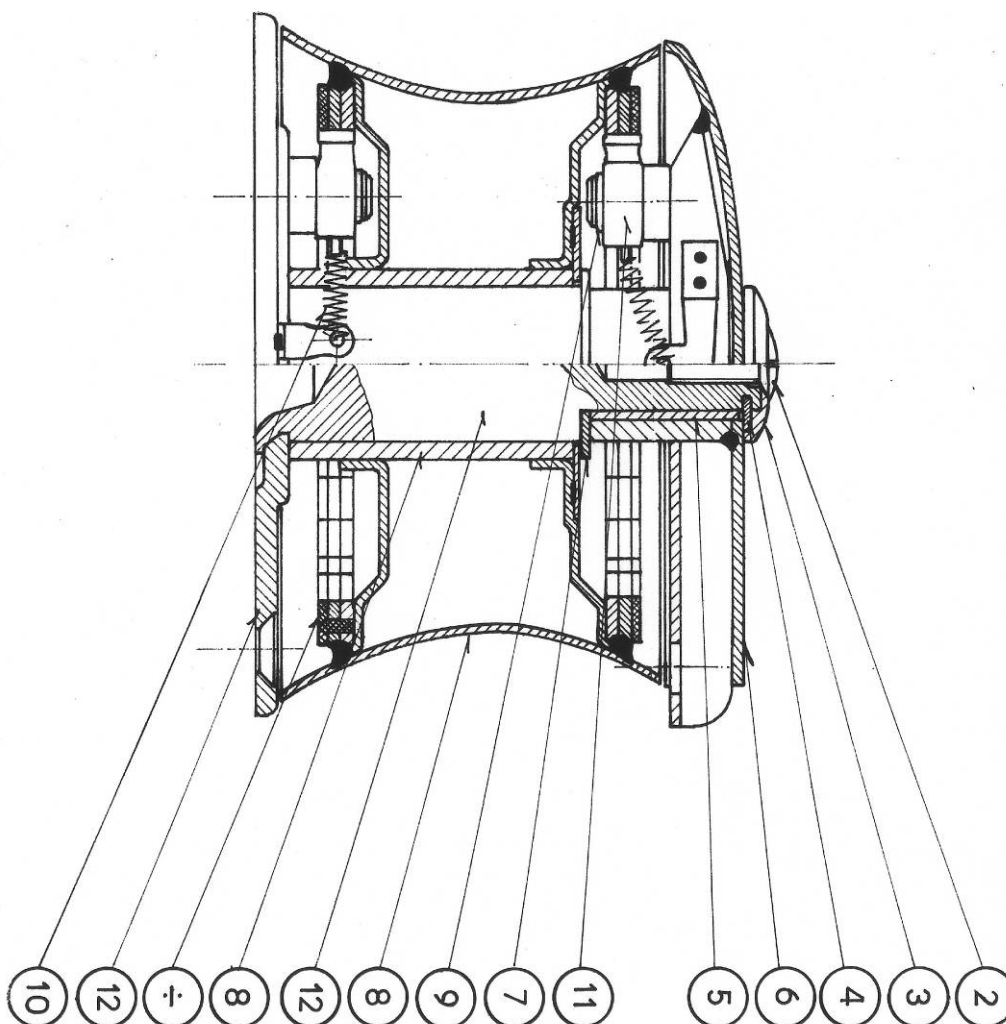


ANDERSEN Winch 100



Sail Handling by



Manufactured by:

Fr. Andersens Maskinfabrik A/S

DK – 7100 Vejle Denmark

www.andersenwinches.com

E-mail: info@andersenwinches.com



SERVICE KIT 15

FOR WINCH 100 – 101 - 102

FOR ANDERSEN WINCHES

Part. No. 710015

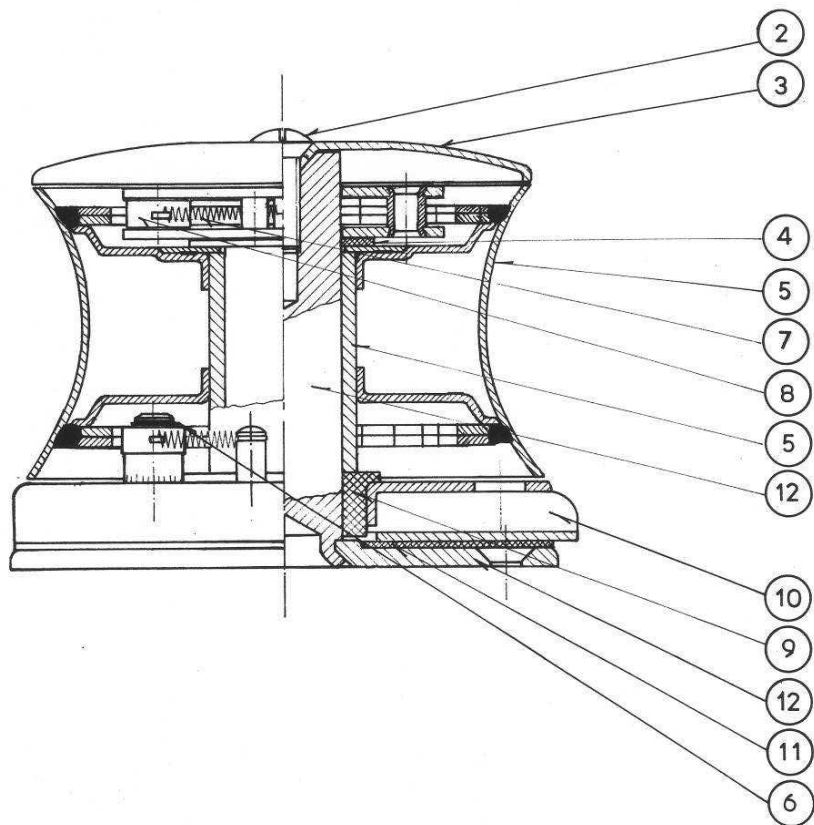
The service kit consists:

QTY.	DESCRIPTION	PART. NO.
1	Screw M6x10	DIN964-A4-M6X10
1	Screw M8x16	DIN964-A4-M8X16
1	Seegering Ø10	DIN6799-10
2	Seegering Ø8X0,8	DIN471-A2-A8
1	Spring	590500
1	Nylon washer Ø38xØ24	965200
1	Bronze washer Ø30XØ15	964700
1	Pawl	966300
1	Upper cover washer	964600

Please unfold the this page to see the Complete Part Lists and Exploded Views for the winches.

Note! Variations can occur due to changes of the winch specifications.

ANDERSEN Winch 101



ANDERSEN Winch 102

