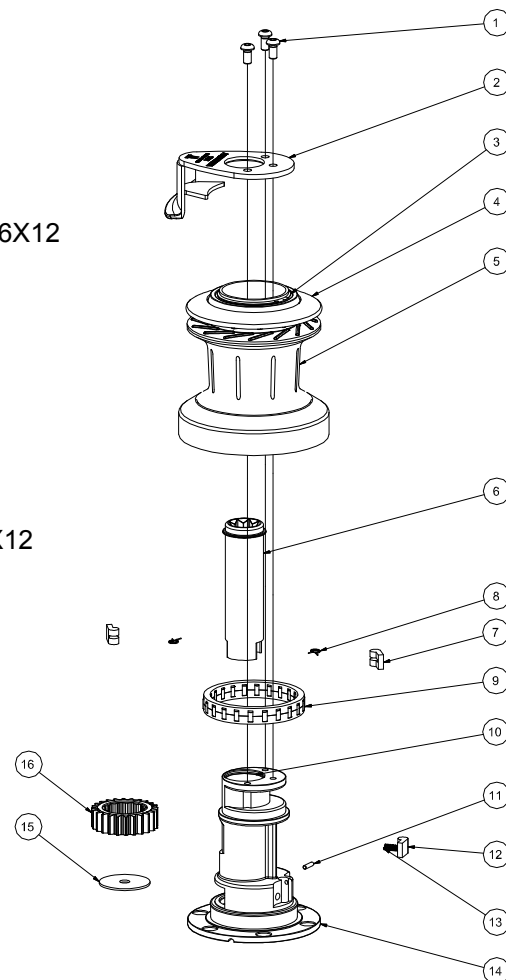


PARTS LIST 12ST FS

Version 1.0

POS. NO.	QTY.	DISCRIPTION	ART. NO.
1.	3	Screws	ISO 7380-A4-M6X12
2.	1	Self-tailing arm	596711
3.	1	Cir-clip	726400U
4.	1	Self-tailing top	537510
5.	1	Drum comp.	726810
6.	1	Drive shaft comp.	726703
7.	2	Pawl	713200
8.	2	Arm spring	713300
9.	1	Roller Bearing	727400
10.	2	Bushing <i>Not removable</i>	716501
11.	1	Locking pin	DIN 913-A4-M4X12
12.	1	Pawl	533400
13.	1	Spring	533500
14.	1	Base	731710
15.	1	Insert Plate	727500
16.	1	Ratchet gear	711701



Manufactured by:

Fr. Andersens Maskinfabrik A/S

DK – 7100 Vejle Denmark

www.andersenwinches.com

E-mail: info@andersenwinches.com



SERVICE KIT 18

FOR WINCH 12ST FS- 18ST FS- 28ST FS

Part. No. 710018

The service kit consists:

QTY.	DECRPTION	PART. NO.
1	Screw	ISO 7380-A4-M5X12
1	Screw	ISO 7380-A4-M6X12
1	Locking pin	DIN 913-A-M4X12
4	Pawl	713200
1	Pawl	533400
8	Armspring	713300
4	Spring	533500
1	Bushing	729501

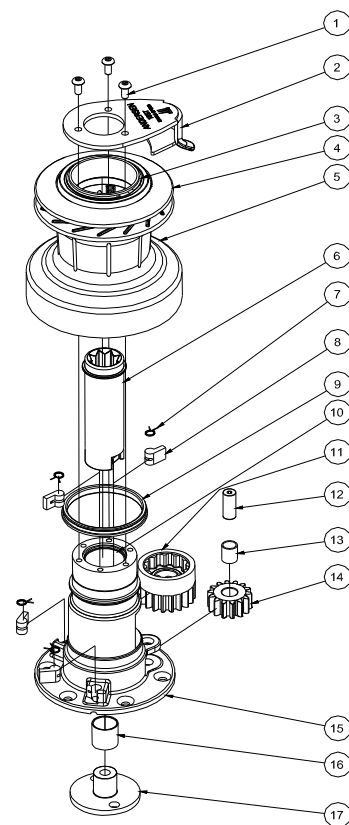
Please unfold the this page to see the Complete Part List and Exploded View for the winch.

Note! Variations can occur due to changes of the winch specifications.

PARTS LIST 18ST FS

Version 1.0

POS. NO.	QTY.	DISCRIPTION	ART. NO.
1.	3	Screw	ISO 7380-A4-M5×12
2.	1	Self-tailing arm	786100
3.	1	Circlip	726400U
4.	1	Self-tailing Top	537510
5.	1	Drum Complete	773600
6.	1	Drive shaft complete.	786000
7.	4	Arm Spring	713300
8.	4	Pawl	713200
9.	1	Bearing	785700
10.	1	Bushing <i>Not removable</i>	716501
11.	1	Ratchet gear	785900
12.	1	Shaft	785300
13.	1	Bushing	786300
14.	1	Gear Wheel	786200
15.	1	Base	773700
16.	1	Bushing for Ratchet gear	785500
17.	1	Shaft for Ratchet gear	785100



PARTS LIST 28ST FS

Version 1.0

POS. NO.	QTY.	DISCRIPTION	ART. NO.
1.	3	Screws	ISO 7380-A4-M6×12
2.	1	Self-tailing arm	596710
3.	1	Cir clip	726400U
4.	1	Self-tailing top	537510
5.	1	Drum Complete	729110
6.	1	Drive shaft complete.	729000
7.	2	Pawl special <i>Not remove able</i>	729300
8.	2	Spring	533500
9.	2	Arm spring	713300
10.	2	Pawl	713200
11.	1	Shaft ring	729700
12.	1	Roller bearing complete.	727400
13.	2	Bushing <i>Not remove able</i>	716501
14.	1	Ratchet gear	711701
15.	1	Gear wheel complete	729600
16.	1	Ratchet gear	729400
17.	1	Bushing	729501
18.	1	Insert plate	729503
19.	1	Cir clip	729502U

