

## MOUNTING INSTRUCTION WINCH 28, VER.1.2

1. Remove circlip (1), using a small sharp screw driver.
2. Remove drum (2).
3. Mark location of the bolt holes using the winch base (15) as a template.
4. Remove the winch base. Be sure that no dust comes into contact with the winch while drilling the bolt holes.
5. Drill the bolt holes  $\varnothing 6.5\text{mm}$ .
6. Clean the area.
7. Apply a light coat of bedding compound, ensuring that each hole is bedded. Drain grooves should be kept clear.
8. Fasten the winch base into place using 5 pcs M6 countersunk head screws.
9. Assemble in reverse order
10. Check that the winch is functioning correctly.

## SERVICE INSTRUCTION WINCH 28, VER.1.2

Maintenance interval 1-2 years, depending on operating conditions.

1. Remove circlip (1).
2. Remove drum (2).
3. Remove the black plastic circlip (8).
4. Remove drive shaft (6).
5. Remove roller bearings (7,9).
6. Remove gear shaft (10).
7. Remove & dismantle the gear unit (11,12,13,14)
8. Clean all moving parts with benzine.
9. Check pawls & springs for wear and replace if necessary. In order to replace the upper pawls (4) or springs (5), the gliding washer (3) must be removed.
10. Reassemble the winch in reverse order, lightly greasing all moving parts, with a soft, small brush. We strongly recommend to use only ANDERSEN Winch Grease for this purpose\*
11. Check that the winch is functioning correctly.

*\*) Most types of grease, including "marine grease" are NOT suitable for lubrication of winches. None suitable grease can cause mechanical malfunction. Malfunctioning pawls may lead to unexpected failure of a loaded winch, resulting in material damage or fatal personal injury.*

**Service Kit No. 4 (part no. 710004) contains service parts for this winch.**

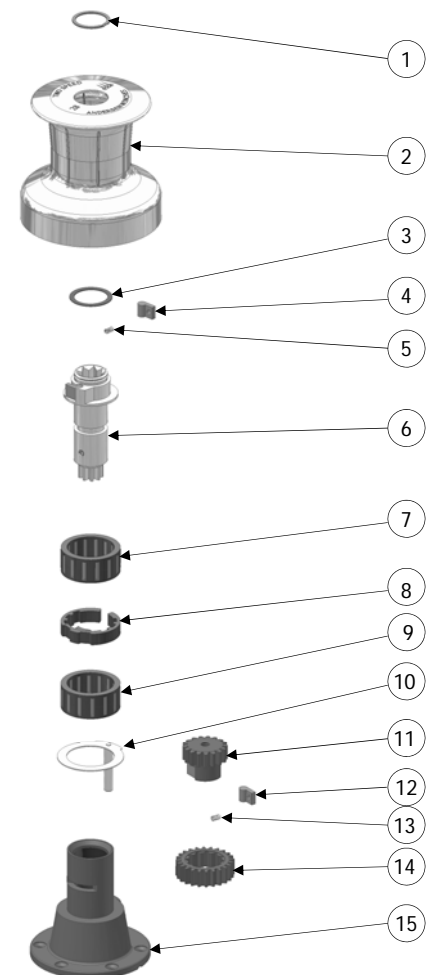
## PARTS LIST WINCH 28, VER.1.2

POS	QTY	DESCRIPTION	PART NO.
1	1	CIRCLIP	712800
2	1	DRUM	730600
3	1	GLIDING WASHER	718400
4	2	PAWL	533400
5	2	PAWL SPRING	533500
6	1	DRIVE SHAFT, COMPLETE	711400
7	1	ROLLER BEARING	712905
8	1	CIRCLIP	716001
9	1	ROLLER BEARING	712905
10	1	GEAR SHAFT	711800
11	1	PAWL GEAR	711600
12	2	PAWL	533400
13	2	PAWL SPRING	533500
14	1	RATCHET GEAR	711701
15	1	WINCH BASE	730700

## LIMITED WARRANTY

- 1.1 ANDERSEN issues a three-year warranty on all their products covering manufacturing and material defects on condition that the products are used in normal fashion. The warranty shall apply for three years from the moment ANDERSEN sell the product concerned (to the first buyer).
  - 1.2 Within the period of the warranty, and in accordance with the terms of the warranty, ANDERSEN undertake to replace or repair all defective components, which have been used in normal fashion.
  - 1.3 The warranty is however subject to the limitations and exceptions outlined below.
- Conditions and limitations:**
- 2.1 ANDERSEN's liability shall be limited to repair or replacement of components, which are defective owing to manufacturing or material defects.
  - 2.2 ANDERSEN assume no other liability than this, not even liability for indirect losses caused by defect concerned, including operating losses, loss of profits, or damage caused to real property or moveable property occurring while the product concerned is in the possession of the Buyer.
  - 2.3 The Buyer alone shall bear the responsibility and risk involved as to whether the products are suitable for the application intended. ANDERSEN assume no liability in this connection.
  - 2.4 ANDERSEN assume no liability for defects which occur due to use of their products for purposes for which they are not intended, or for defects which occur owing to incorrect installation, corrosion, ultraviolet degradation, lack of maintenance, or any alteration or repair of the product carried out incorrectly by the Buyer. Finally, ANDERSEN assume no liability for normal wear and tear, or for depreciation in value.
  - 2.5 ANDERSEN do not assume any liability for service carried out by anyone other than authorised ANDERSEN representatives, unless such service is carried out pursuant to guidelines laid down by ANDERSEN and in accordance with good craftsmanship.
  - 2.6 The buyer shall inform ANDERSEN in writing of any defects with no undue delay once defects have been registered. Products being dealt with under the warranty shall be returned to ANDERSEN for repair unless any other agreement has been reached in writing.
  - 2.7 ANDERSEN shall not cover costs incurred by the Buyer in connection with the transport or wages involved in a warranty case. The Buyer in full shall meet such costs.
- Exceptions:**
- 3.1 The warranty is only valid for one year in respect of components bought for the products concerned, such as electric motors, electric equipment, hydraulic pumps, motors and valves.
  - 3.2 ANDERSEN assume no liability for consequential damage of ships, equipment, property or people caused by defects in ANDERSEN products.
  - 3.3 The company's products are subject to continuous development, and consequently ANDERSEN reserve the right to change designs and specifications without prior notice.

## EXPLODED VIEW WINCH 28, VER.1.2



# WORLD WIDE DISTRIBUTION & SERVICE

(FOR UPDATED DISTRIBUTOR LIST, PLEASE SEE WWW.ANDERSENWINCHES.COM)

**ANDERSEN Argentina**  
Argen Mast & Systems s.r.l.  
Av. Tiscornia 963  
(1642) San Isidro  
Buenos Aires  
Tel.: 11 4742 44 62  
Fax: 11 4742 44 62  
E-mail: info@agenmast.com.ar  
or rianzani@argenmast.com.ar

**ANDERSEN Australia**  
Allyacht Spars Australia  
1853 Lytton Rd., Lytton  
Queensland  
Australia 4178  
Tel.: 07 3893 2233  
Fax: 07 3893 2478  
E-mail: info@allyachtspars.com.au  
Web: www.allyachtspars.com.au

**ANDERSEN Austria**  
Robert Lindemann KG  
Wendenstrasse 455  
D-20537 Hamburg  
Tel.: 040 21 11 97 0  
Fax: 040 21 11 97 30  
E-mail: info@lindemann-kg.de  
Web: www.lindemann-kg.de

**ANDERSEN Belgium**  
Jupiter Handelsmijl. BVBA  
Kontichsesteenweg 67  
B-2630 Kaartseleer  
Tel.: 03 457 43 81  
Fax: 03 457 68 21  
E-mail: info@jachtenjupiter.com  
Web: www.jachtenjupiter.com

**ANDERSEN Canada**  
Rekord Marine Enterprises Ltd  
8194 Ontario Street  
Vancouver, B.C., V5X 3E3  
Tel.: 604 325 5233  
Fax: 604 325 0326  
Toll free fax: 1-800-663-6424  
E-mail: steve@rekord-marine.com  
Web: www.rekord-marine.com

**ANDERSEN Croatia**  
Naveia  
Castropola 54  
HR-52100 Pula  
Croatia  
Tel.: 052 214 542  
Fax: 052 213 558  
E-mail: naveia@pu.t-com.hr  
Web: www.naveia.hr

**ANDERSEN Czech Republic**  
Nereide Yachting Ltd.  
Vybralova 972/70  
CZ-19800 Prague 9  
Tel.: 605 25 98 82  
Fax: 257 94 17 84  
E-mail: office@nereide-yachting.com  
Web: www.nereide-yachting.com

**ANDERSEN Denmark**  
WATSKI A/S  
Savsvinget 4  
DK-2970 Hørsholm  
Tel.: 45 76 40 11  
Fax: 45 76 40 12  
E-mail: kontaktdk@watski.com  
Web: www.watski.dk

**ANDERSEN Finland**  
Ky Jotiko-Marine Kb  
Unioninkatu 45  
SF-00170 Helsinki  
Tel.: 500 490239  
Fax: 09 1351404  
E-mail: info@jotiko-marine.com  
Web: www.jotiko-marine.com

**ANDERSEN France**  
Greement Import – Head office:  
13 rue du Chêne Lassé  
Z.I. BP 284  
44803 Saint Herblain  
Tel.: 02 28 03 01 01  
Fax: 02 28 03 19 91  
E-mail: info@greementimport.fr  
Web: www.greementimport.fr

**ANDERSEN Germany**  
Herman Gotthardt GmbH  
Leunastrasse 50  
D-22761 Hamburg  
Tel.: 040 851 50 50  
Fax: 040 850 91 33  
E-mail: info@gotthardt-yacht.de  
Web: www.gotthardt-yacht.de

**ANDERSEN Great Britain**  
IMIP  
15 Jarman Way  
Royston  
Hertfordshire SG8 5HW  
Tel.: 01 763 241 300  
Fax: 01 763 241 770  
E-mail: sales@improducts.co.uk  
Web: www.improducts.co.uk

**ANDERSEN Greece**  
Meltemi Yachting Ltd.  
4, Metamorfoseos st Alimos  
GR-17455 Athens  
Tel.: 210 9849883  
Fax: 210 9844356  
E-mail: info@meltemi-yachting.gr  
Web: www.meltemi-yachting.gr

**ANDERSEN Hungary**  
Marina Yacht Sport  
Cserhát u. 3., H-1078 Budapest  
Tel.: 322 86 55  
Fax: 322 9834  
E-mail: iroda@marina.hu  
Web: www.marina.hu

**ANDERSEN Italy**  
TOMASONI TOPSAIL S.p.A.  
Via E Toti 55  
16035 Rapallo (GE)  
Tel.: 0185 2001  
Fax.: 0185 263 160  
E-mail: andrea@tomasoni.com  
Web.: www.tomasoni.com/technico

**ANDERSEN Netherlands**  
Nautec Engineering B.V.  
Muyterweg 17  
6075 AM Herkenbosch  
Tel.: 0475 537760  
Fax: 0475 537759  
E-mail: info@nautec.nl  
Web: www.nautec.nl

**ANDERSEN New Zealand**  
Nordic Marketing Ltd.  
P.O. Box 100669  
NSMC Auckland  
Tel.: 09 368 4740  
Fax: 09 368 4741  
E-mail: nordic@xtra.co.nz  
Web: www.nordic.co.nz

**ANDERSEN Norway**  
Navimo Nordic AB/- at Termomarin A/S  
Fokserodveien 31  
N-3241 Sandefjord  
Tel.: 33 42 00 90  
Fax: 33 42 00 91  
E-mail: post@termomarin.no  
Web: www.termomarin.no

**ANDERSEN Poland**  
Sail Service  
ul.Sienna 45  
80-605 Gdansk  
Tel.: 58 307 37 85  
Fax: 58 307 09 24  
E-mail: office@sailservice.com.pl  
Web: www.sailservice.com.pl

**ANDERSEN Portugal**  
Just Boats  
CX 248 P. Monte Alquevinho  
Sta Caterina de Fonta do Bispo  
Tel.: 281 971 179  
Fax: 289 994 485  
E-mail: info@just-boats.net  
Web: www.just-boats.net

**ANDERSEN Singapore**  
Alquest Marketing  
66, Tannery Lane  
#02-06B Sindo Building  
Singapore 347605  
Tel.: 6749 9359  
Fax: 6749 9360  
E-mail: jason@alquest.com.sg  
Web.: www.alquest.com.sg

**ANDERSEN Slovenia**  
Tramontana  
Tesovnikova 88  
1000 Ljubljana  
Tel.: 1 568 37 32  
Fax: 1 568 48 88  
E-mail: info@tramontana-net.si  
Web: www.tramontana-net.si

**ANDERSEN South Africa**  
Manex & Power Marine  
5 Industry Street  
P.O. Box 173  
Paarden Eiland 7420 Cape Town  
Tel.: 021 511 7292  
Fax: 021 510 1487  
E-mail: manex@manex.co.za  
Web: www.manex.co.za

**ANDERSEN Spain/Mallorca**  
Yacht Riggers Mallorca, s.l.  
Passaig República Argentina, 34 baixos  
E-07200 FELANITX (Mallorca)  
Tel.: 971 58 41 30  
Fax: 971 58 41 31  
E-mail: info@yachtriggers.com  
Web: www.yachtriggers.com

**ANDERSEN Spain/Barcelona**  
Pertrechos Nauticos s.l.  
Buscarons, 6 bj, local 2  
08022 Barcelona  
Tel.: 93 418 66 32  
Fax: 93 418 56 48  
E-mail: info@pertrechosnauticos.com  
Web: www.pertrechosnauticos.com

**ANDERSEN Sweden**  
Navimo Nordic AB  
Lundenvägen 2  
S-473 31 Henån  
Tel.: 0304 360 60  
Fax: 0304 307 43  
E-mail: info@navimo.se  
Web: www.navimo.se

**ANDERSEN Switzerland**  
Robert Lindemann KG  
Wendenstrasse 455  
D-20537 Hamburg  
Tel.: 040 21 11 97 0  
Fax: 040 21 11 97 30  
E-mail: info@lindemann-kg.de  
Web: www.lindemann-kg.de

**ANDERSEN Trinidad & Tobago**  
Soca Sails  
Crewsinn Marina, Chaguaramas  
P.O. Box 608  
Trinidad, West Indies  
Tel.: 868 634-4178  
Fax: 868 634-1044  
E-mail: info@socasails.com

**ANDERSEN Turkey**  
Enigma Yacht Supply & Services Ltd.  
Istanbul Deri ve End serbest Bölgesi  
Hasan Yelmen Cad no.: 12  
34957 Tuzla, Istanbul  
Tel.: 216 394 21 44  
Fax: 216 394 22 19  
E-mail: info@enigmayachts.com  
Web: www.enigmayachts.com

**ANDERSEN U.S.A.**  
Scandvik Inc.  
423 4th place SW  
Vero Beach  
Florida 32962  
Tel.: 772 567 2877  
Fax: 772 567 9113  
Toll Free 1-800-535-6009  
E-mail: info@scandvik.com  
Web: www.scandvik.com

Manufactured by:

**ANDERSEN Winches**  
**DK-7100 Vejle**

**DENMARK**

www.andersenwinches.com

E-mail: info@andersenwinches.com

Manual

**WINCH 28**

ver. 1.2

