

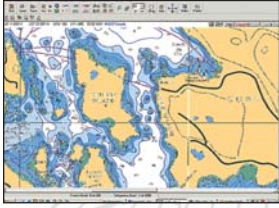
# ComNav®



## Class B AIS Transceiver Mariner X2 Automatic Identification System

### Enhanced Safety and Security at Sea

- Safety — See and be seen using your on-board chart plotter
- Display graphically AIS target overlay on standard radars and multifunction chart displays
- Wireless exchange — Navigation status between vessels and shore traffic monitoring centers
- Vessel monitoring of Class A and Class B Transmissions over standard VHF frequencies
- Easily set up to automatically transmit a safety related message reducing search and rescue times
- Allows fleet of vessels to be efficiently monitored and port traffic better managed
- Type approvals: FCC and USCG standard in USA, EU Type in Europe, and IEC certified in Canada
- IP67 waterproof enclosure design with marine grade connectors
- Shock and vibration resistant to stringent commercial standards
- Standard NMEA 0183 interface using RS232 for PC and PDA chart applications
- Silent mode — User selectable
- Built-in 16 channel GPS receiver with antenna
- LED status indicators
- Includes Pro AIS software for AIS message broadcast entailing MMSI (Maritime Mobile Service Identifier), vessel name, course, speed and other important navigation data
- Easily upgradeable through PC software and via RS232
- Meets CE requirements
- 1 year warranty



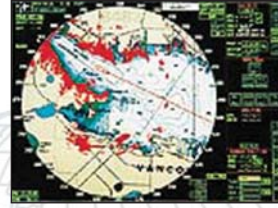
### Safety

AIS improves safety on water through enhanced navigation awareness and reduces search and rescue times.



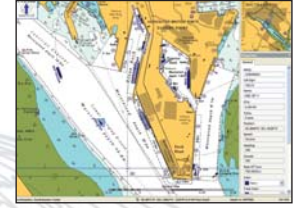
### Security

AIS helps to identify and track vessels and improve border security. Improve coast guard response time by transmitting precise navigation data.



### Vessel Monitoring

AIS enables automatic control and intruder or vessel movement alerts within designated areas.



### Port Vessel Traffic Management

AIS enables port traffic management by using precise tracking and identification data.

## SPECIFICATIONS:

**Operating Voltage:** 10 to 15 VDC

**Power Consumption:** Average 0.35 Amps, 2 Amps Peak

**NMEA0183 Interface:** 38.4k baud bi-directional

**RS232 Interface:** 38.4k baud bi-directional

**Operating Temperature:** -25°C to +55°C

## CONNECTIONS

**VHF Antenna connector:** SO-239

**GPS Antenna connector:** TNC

**RS232 Data connector:** Female 9 Way D-type

**NMEA 0183 data:** Color coded conductors

**External switch:** Color coded conductors

## VHF TRANSCEIVER

**Transmitter:** Single

**Receivers:** Dual (one time shared between AIS and DSC)

**Frequency Range:** 156.025MHz – 162.025MHz

**Channel Bandwidth:** 25KHz

**Power Output:** 33dBm +/- 1.5 dB

**Modulation:** 25KHz GMSK / 25KHz AFSK

**Data Rate:** 9600 bps GMSK & 1200 bps FSK

**RX Sensitivity:** <-107dBm @ 20% PER

**Compliance:** FCC, USCG, Type EU, IEC, CE, RoHS

**Standards and Approvals:** IEC60945 Cat C

IEC62287-1 Class B Shipborne equipment

IEC60945 Environmental

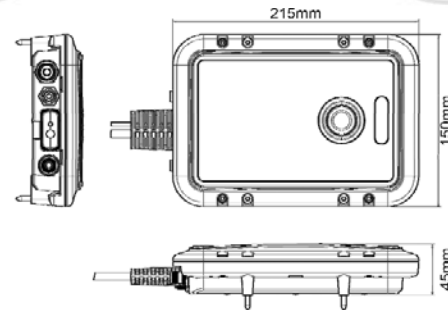
ITU-RM.1371-1 Universal AIS Technical

IEC61162-1 IEC Digital Interfaces

IEC61108-1 IEC GPS Receiver



**DIMENSIONS:** 215mm x 150mm x 45mm / 8.5" x 5.9" x 1.8"



## ADDITIONAL FEATURES:

- Auto configuration and set up software
- Data display for MMSI, vessel name, call sign, vessel type, etc.
- Auto configuration for safety related message
- GPS display of position, COG and SOG
- GPS diagnostics and satellite signal bar chart
- Key status indicators
- Shows Transponder software and firmware version
- Displays receiver and transmitter statistics
- Displays Class A, Class B, base station and A to N target data
- Real time display for serial data output
- Ability to log data to file

# ComNav®



**ComNav Marine Ltd.**

#15-13511 Crestwood Place,  
Richmond, British Columbia • Canada • V6V 2G1

Phone: 604-207-1600 • Fax: 604-207-8008

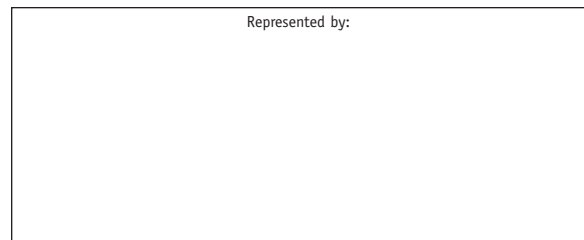
E-mail: sales@comnav.com

**www.comnav.com**

**Worldwide Service**

Printed in Canada

Represented by:



Specifications subject to change without notice