

# Contact 6 PLUS System

NMEA2000



CZone’s first affordable digital switching system. Simple installation with out-of-the-box plug-and-play configurations, the Contact 6 PLUS System brings powerful and trusted CZone digital switching technology to a very attractive price point.

## Features & Benefits

- » Circuit dimming & smooth start capability
- » Status LED’s for all outputs
- » Ultra low current draw
- » Built in timer functions for circuits like live bait tanks
- » Voltage monitoring on the NMEA2000 network
- » Load Shedding allows non-essential loads to be turned off to preserve battery life
- » Built in default configurations selectable via dip switch
- » Affordable add on module to larger CZone systems
- » Blown fuse detection and warning

## Part Numbers

80-911-0160-00	CZONE CONTACT 6 PLUS INTERFACE
80-911-0162-00	CZONE WATERPROOF KEYPAD (LANDSCAPE)
80-911-0163-00	CZONE WATERPROOF KEYPAD (PORTRAIT)

## Accessories:

80-911-0171-00	CZONE 2 MODULE SMART HARNESS
80-911-0172-00	CZONE 3 MODULE SMART HARNESS
80-911-0174-00	CZONE WATERPROOF KEYPAD SPARE PARTS KIT
80-911-0179-00	CONTACT 6 PLUS CONNECTOR & SEAL KIT

### Contact 6 PLUS

- » Affordable digital switching module
- » Plug-and-play out of the box configurations
- » 6 x 15A Outputs with PWM dimming
- » Equipped with advanced core CZone feature set like timers and Modes
- » ABYC compliant ignition protected fusing with mechanical circuit bypass
- » Accepts 24 - 8 AWG output wire
- » Parallel multiple circuits for higher output



**Contact 6 PLUS**  
80-911-0160-00

### Waterproof Key pads

- » IPX7 submersible keypads
- » Circuit in operation LED's with blown fuse indication
- » Dimmable RGB circuit backlighting
- » Low profile with 3 mounting options - front, rear and flush mount
- » Easy 2 1/16" (52mm) hole saw installation with single plug connection



**Landscape**  
80-911-0162-00

**Portrait**  
80-911-0163-00

### Smart Harness

- » All-in-one Smart Harness for straight forward plug-and-play installation
- » Not required when connecting to NMEA2000 Network
- » Removes expensive network cables
- » Robust solution with minimal connection points



**2 Module Smart Harness**  
80-911-0171-00



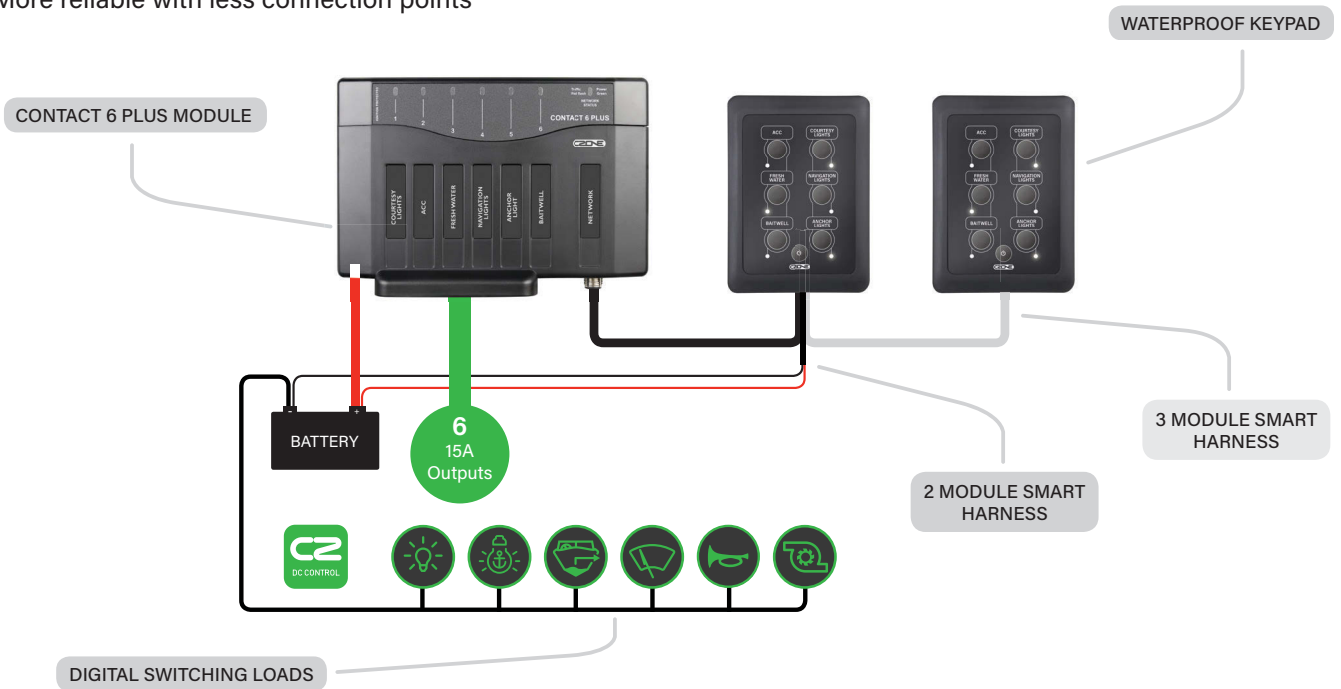
**3 Module Smart Harness**  
80-911-0172-00

## System Example

### Standalone

The Contact 6 PLUS and Waterproof Keypad can be networked using the Smart Harness without the need for a full NMEA2000 Network backbone. The Smart Harness is available in 2 and 3 module versions which are perfect for a Contact 6 PLUS Module and 1 or 2 Waterproof Keypads providing 6 or 12 switch positions.

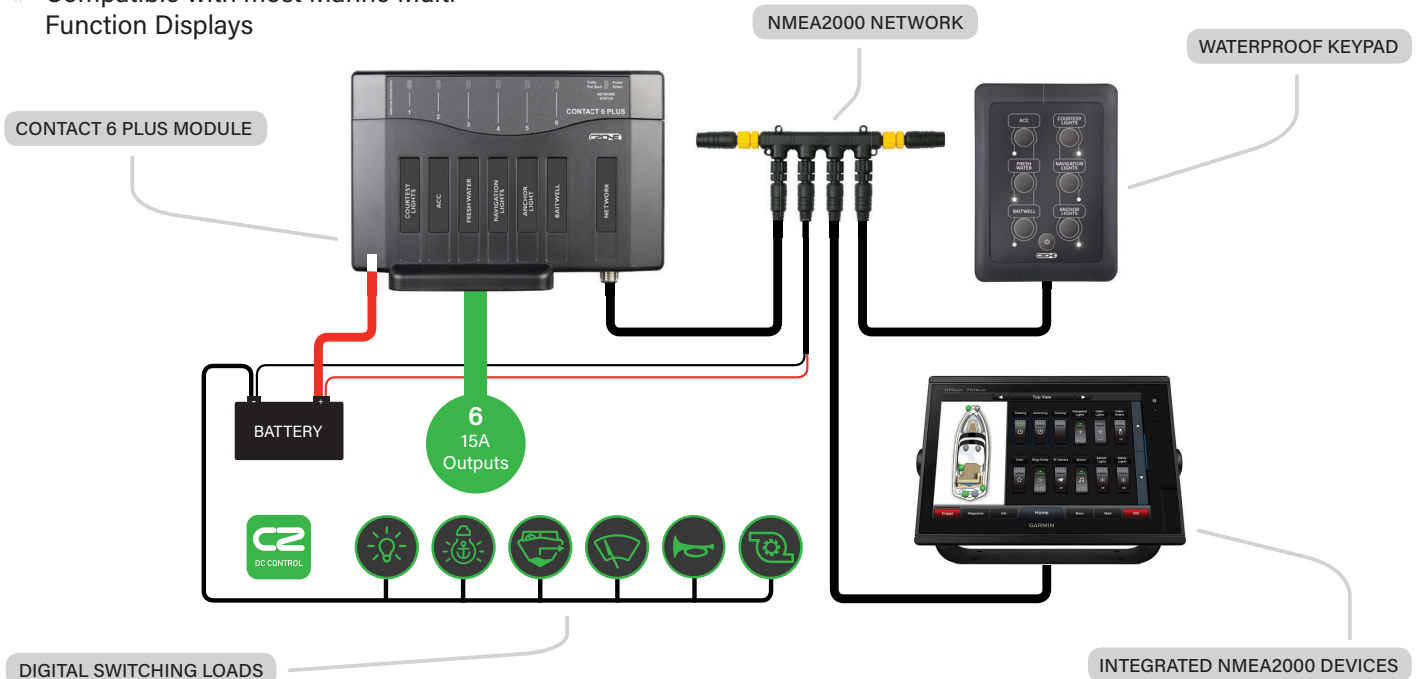
- » No NMEA2000 Network backbone required
- » Cost effective and simple installation
- » More reliable with less connection points



### Networked

The Contact 6 PLUS and Waterproof Keypad are fully NMEA2000 compatible and can be used as low cost components of a larger CZone installation with a full network backbone. In a networked installation the NMEA2000 backbone replaces the Smart Harness.

- » Low cost addition to a larger installation
- » Compatible with most Marine Multi-Function Displays



# DC Module Comparison Guide



	Contact 6 Fused	Contact 6 Non Fused	Contact 6 PLUS	Output Interface (OI)	Control 1	Combination Output Interfact (COI)
Mechanical Fuse	✓ PTC (auto-reset)		✓ ATC	✓ ATC	✓ ATC	✓ ATC
Tripped Fuse Detection			✓	✓	✓	✓
Circuit Bypass	✓ Electronic	✓ Electronic	✓ Mechanical	✓ Mechanical	✓ Mechanical	✓ Mechanical
Current Sensing				✓		✓
Software Fusing				✓		✓
Dimming (PWM)			✓ All Channels	✓ All Channels	✓ Low Current Outputs	✓ Low Current Outputs
Low Current Outputs	6 x 7.5A	6x 9A			12 x 10A	12 x 10A
High Current Outputs			6 x 15A	6 x 20A	4 x 25A With Bilge Pump Running Detection	4 x 25A With Bilge Pump Running Detection
Negative Output Switching	✓ Per Circuit	✓ Per Circuit				
Reverse Motor Control	✓	✓				
Analogue/Digital Inputs					<b>8</b> 0-1000, 0-32V. 4-20mA, Pos & Neg Switch	<b>8</b> 0-1000, 0-32V. 4-20mA, Pos & Neg Switch
Backlit Digital Switch Inputs						<b>6</b> Requires DSB Module
Output Voltage	12V	12/24V	12/24V	12/24V	12/24V	12/24V