

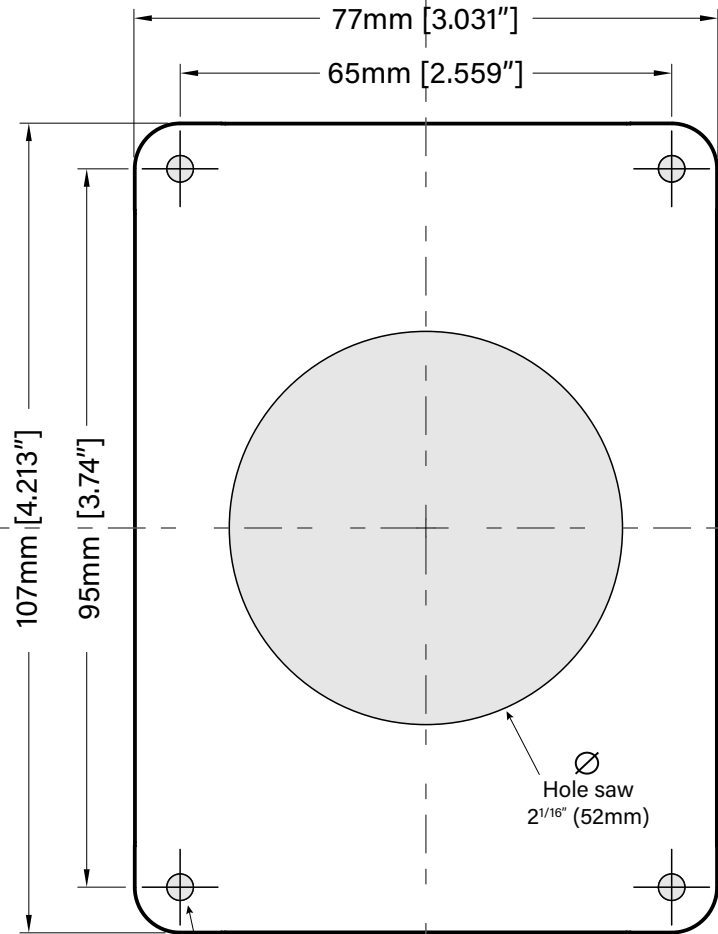
### Mounting template



ORIENTATE UPWARD FOR  
PORTRAIT KEYPAD

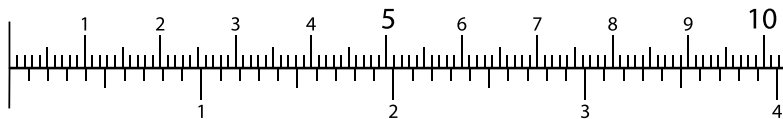


ORIENTATE UPWARD FOR  
LANDSCAPE KEYPAD

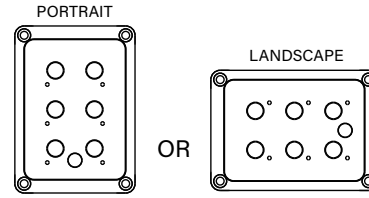


Ø #29 drill (3.40 to 3.45mm)  
Or drill pilot hole to suit 4mm self tapping screw

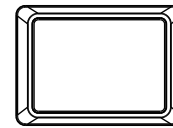
**Please check scale before using**



### Parts in the box



Keypad



Bezel

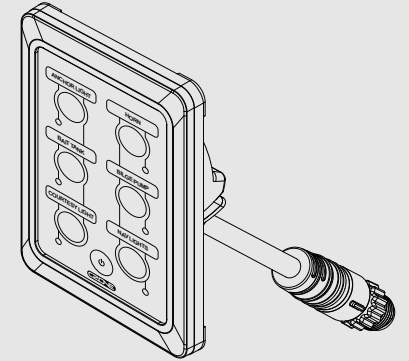


4 x Screws



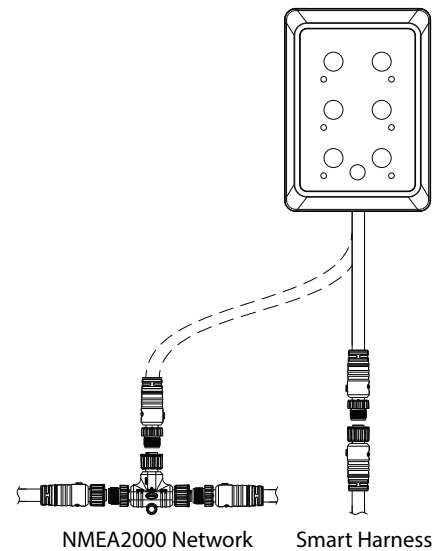
Gasket

### Installation Guide



### Waterproof Keypad

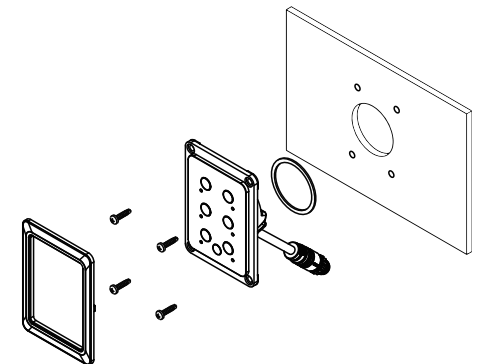
### Wiring



NMEA2000 Network

Smart Harness

### Installation



1. Drill dash cutout
2. Set dipswitch
3. Install keypad with gasket
4. Screw keypad to dash
5. Install bezel
6. Connect network cable