

# PROJECT X3



**INSTRUCTION MANUAL**

**MANUALE DI ISTRUZIONI**

**MANUEL D'INSTRUCTIONS**

**GEBRAUCHSANWEISUNG**

**MANUAL DE INSTRUCCIONES**

## CONTENTS

---

Project X3 presentation	Pg.3	Removing the finger	Pg.5
Safety information	Pg.3	Limited international warranty	Pg.5
Windlass wiring minimum requirements	Pg.3	Appendix	Pg.5
Installation general requirements	Pg.3	Wiring diagram	Pg.18
Installation procedure	Pg.3	Pictures	Pg.19
Test procedure	Pg.3	Exploded drawings	Pg.20
Use of the windlass	Pg.4	Part list	Pg.21
Maintenance program	Pg.4	Lofrans sales organization	Pg.22

## SOMMARIO

---

Presentazione del Project X3	Pg.6	Rimozione del finger	Pg.8
Informazioni sulla sicurezza	Pg.6	Garanzia internazionale limitata	Pg.8
Requisiti minimi dell'impianto elettrico	Pg.6	Appendice	Pg.8
Requisiti generali per l'installazione	Pg.6	Schema elettrico	Pg.18
Procedura di installazione	Pg.6	Immagini	Pg.19
Test di funzionamento	Pg.6	Disegni esplosi	Pg.20
Uso del salpa-ancore	Pg.7	Lista parti	Pg.21
Programma di manutenzione	Pg.7	Organizzazione di vendita Lofrans	Pg.22

## TABLES DE MATIERES

---

Présentation du Project X3	Pg.9	Retirer le dispositif tendeur de cordage	Pg.11
Consignes de sécurité	Pg.9	Garantie internationale limitée	Pg.11
Conditions requises minimum pour le circuit électrique	Pg.9	Annexe	Pg.11
Conditions requises general pour l'installation	Pg.9	Schéma électrique	Pg.18
Procédure d'installation	Pg.9	Figures	Pg.19
Essai de fonctionnement	Pg.9	Schéma détaillés	Pg.20
Utilisation du guindeau	Pg.10	Liste des pièces	Pg.21
Programme d'entretien	Pg.10	Réseau de vente Lofrans	Pg.22

## INHALT

---

Präsentation des Project X3	Pg.12	Ausbau des Führungsarms	Pg.14
Sicherheitshinweise	Pg.12	Garantiebedingungen	Pg.14
Mindestanforderungen an die Elektroanlage	Pg.12	Anhang	Pg.14
Allgemeine Anforderungen für die Installation	Pg.12	Elektr. Anschlußplan	Pg.18
Installationsverfahren	Pg.12	Bilder	Pg.19
Funktionstest	Pg.12	Explosionszeichnung	Pg.20
Gebrauch der Ankerwinde	Pg.13	Ersatzteilliste	Pg.21
Wartungsplan	Pg.13	Vertriebsstruktur	Pg.22

## INDICE

---

Presentación de Project X3	Pg.15	Desmontaje del dispositivo tensor de cabo	Pg.17
Información sobre la seguridad	Pg.15	Garantía internacional limitada	Pg.17
Requisitos mínimos de la instalación eléctrica	Pg.15	Apéndice	Pg.17
Requisitos generales de la instalación	Pg.15	Diagrama eléctrico	Pg.18
Instalación	Pg.15	Figuras	Pg.19
Prueba de funcionamiento	Pg.15	Esquema de piezas	Pg.20
Uso del molinetes	Pg.16	Listas de la piezas	Pg.21
Programa de mantenimiento	Pg.16	Distribuidores de Lofrans	Pg.22

## PROJECT X3 PRESENTATION

Thank you for choosing Lofrans. The Project X3 is the new Lofrans windlass, designed for boat from 12 up to 18 mts length. Listed below are the technical features:

- Chromed Bronze finish as standard
- Nominal power with S2 parameter 11 minutes : 1200W-1500W
- Electric motor waterproof IP 66 degree
- Nickeled chain gipsy
- Rope and chain management with 8-10-12-5/16"HT-5/16"BBB--3/8"HT-7/16"HT chain and diameter 16-18-20-5/8"-3/4" rope
- Main shaft in stainless steel AISI 431
- Base bearing in stainless steel AISI 440
- Independent drum from gipsy
- Manual override equipped
- Haulage speed : from 18 up to 24 mt/min
- Ampere load : from 80-130 A (12V), from 50-80 A (24V)
- Max pull measured with dynamometer : Kgs 1100-1500 approx
- Weight : Kgs 32

## SAFETY INFORMATION

- This product is not designed as a strong point to fasten your anchor rode. Fast the anchor rode to a strong point such as mooring cleat or similar.
- The vessel's engine should always be running and used to assist in the recovery of the ground tackle.
- Always install the properly rated circuit breaker to protect the electric circuit and the motor from overheating and damage.
- Always turn off the main switch when the windlass is not in use to prevent accidental engagement.
- Always keep hands and feet clear of an operating windlass. If a jam occurs turn the windlass off at the main switch before clearing the anchor rode.
- Do not use the windlass for different purposes it was designed for.

## WINDLASS WIRING MINIMUM REQUIREMENTS

Below there are the requirements for all the components of the windlass electric plant depending from the motor nominal power.

	1200 W 12V	1200 W 24V	1500 W 12V	1500 W 24V
A- Battery capacity	200 Ah	150 Ah	250 Ah	150 Ah
B- Power cables size	35 mm <sup>2</sup> - 2 AWG	25 mm <sup>2</sup> - 3 AWG	50 mm <sup>2</sup> - 1 AWG	35 mm <sup>2</sup> - 2 AWG
C- Lofrans Circuit breaker	100 A	70 A	125 A	70 A
Fuse	5 A	5 A	5 A	5 A
Control wires size	1,5 mm <sup>2</sup> - 14 AWG	1,5 mm <sup>2</sup> - 14 AWG	1,5 mm <sup>2</sup> - 14 AWG	1,5 mm <sup>2</sup> - 14 AWG

## NOTES

- A. Battery of lower capacity decrease the windlass performances and are rapidly subjected to wear and tear.
- B. This size must be increased when the length of the positive plus the negative cables are more than 25 mts. Use marine grade tinned copper wire.
- C. The Lofrans circuit breaker protects the power line from short circuit and the windlass motor in case of overheating. It must be kept dry and installed in accessible place to be promptly reactivated when it trips. It can be also used to isolate the windlass from the remote controls as we strongly suggest to avoid accidental engagement.
- All the switches must be wired in parallel. We strongly recommend to have a minimum of two switches to operate the windlass in case one of them gets damage.
- All Lofrans equipment is CE approved.

## INSTALLATION GENERAL REQUIREMENTS

Proper installation of the windlass is critical and these essential conditions listed below need be fully satisfied:

**Fig.1** The gipsy of the windlass must be in line with the bow roller.

**Fig.2** The deck must be flat. The structure of the boat must be adequate to the load that the windlass is able to pull. If necessary reinforce the deck with a backing pad to spread the stress.

**Fig.3** When determining the position of the windlass, it is critical to locate it directly above the deepest area of the chain locker. As the chain falls into the chain locker, it must be maximized because when the chain is stored. The chain tends to gather in the shape of a pyramid, which reduce the available space. If the chain pyramid falls, then overlaps may occur, resulting in jams. The deeper the locker, the less likely this will occur. You must have a minimum of **A=12"** between the underside of the deck and the top of the heaped chain. The chain locker shape is really important to limit the pyramid problem. The chain coming from the bow roller can be inclined up to 5 degrees.

## INSTALLATION PROCEDURE

**Fig.4** Carefully position the template provided to the deck. Mark and drill the holes as indicated (see Fig.A). The forward, leading edge of the chain hole should be dressed with a 45° degree angle. A drum rasp or Dremil Tool™ will be helpful. Sand smooth all edges and seal (see Fig.B). Clean the deck area and position the deck gasket supplied.

**Fig.5** Loosen the 4 hex nuts (227) to separate the topworks from the gearbox and motor. Position the topworks the deck aligning the gasket properly.

**Fig.6** Join the gearbox to the windlass topworks by inserting the key (284) of the main shaft into the key way of the gearbox. Align the motor away from the chain pipe.

**Fig.7** Fasten a washer, lock washer and hex nut to the remaining deck studs. Tighten all hardware properly. Connect the cables from the battery to the electric motor as shown in the electric diagram.

## TEST PROCEDURE

**ATTENTION ! DO NOT OPERATE THE WINDLASS WITHOUT THE ROPE-CHAIN INTO THE GIPSY TO AVOID TO DAMAGE THE PART 998 (FINGER)**

**Fig.8** Introduce the rope-chain into the gipsy. Please take care to keep hands and feet away of the incoming rope-chain.

**Fig.9** Turn on the remote control. Operate the UP switch. The chain will be recovered. Release the UP switch. Operate the DOWN switch. The chain will be released. If the windlass runs in wrong direction change over the UP and DOWN wires at the control box.

**Fig.10** After using the windlass, we strongly recommend that the nuts are checked again to ensure they are well tightened.

## USE OF THE WINDLASS

The basic operations you need to know are lowering and raising the anchor by electric motor. This product is cone clutch-equipped which allows to you to lower the anchor without using the electric motor. Lofrans strongly recommend to use the chain stopper in conjunction with this windlass. The chain stopper is a device which is normally installed on the boat and will keep your chain in place on deck. It must be used to secure the anchor after anchoring.

OPERATION	FIRST ...	THEN ...
1. USE OF THE CLUTCH ON THE LOW PROFILE MODEL	-	To disengage the clutch insert the handle (272) into the star-shaped slot on the gipsy cap (993) and loosen it. To engage the clutch again tight the gipsy can until you cannot move the handle any more. Anchor and /or chain provide resistance during the tightening.
2. USE OF THE CLUTCH ON THE STANDARD MODEL	-	To disengage the clutch insert the handle (272) supplied into the clutch nut (912) and loosen it. To engage the clutch tighten it until you cannot move the handle any more.
3. LOWERING THE ANCHOR BY THE ELECTRIC MOTOR	<ul style="list-style-type: none"> <li>Disengage the Chain stopper</li> <li>Check if the Clutch is engaged</li> <li>Turn On the Circuit breaker</li> </ul>	Simple push the button DOWN. You will have always a perfect control of the operation , which can be interrupted any moment by releasing the button DOWN .
4. AFTER ANCHORING	<ul style="list-style-type: none"> <li>Engage the Chain stopper</li> <li>Engage the Clutch</li> <li>Turn Off the Circuit breaker</li> </ul>	If you have all chain , reduce the windlass load by engaging the chain stopper. If using a combination of rope and chain , fix the rope to a strong point such as a cleat.
5. RAISING THE ANCHOR	<ul style="list-style-type: none"> <li>Disengage the Chain stopper</li> <li>Check if the Clutch is engaged</li> <li>Turn On the Circuit breaker</li> </ul>	Start the engine of the boat. Push the button UP while with the boat at minimum speed going towards the anchoring point. <b>Do not use the windlass to pull the boat to the anchor.</b> Release the button UP to stop the operation. Pay attention to the speed of the anchor , which may damage the bow of your boat. In the event that the anchor becomes stranded and the Lofrans circuit breaker trips , wait several minutes before re-setting and try once more. Should the circuit breaker trip again , we suggest to fix the rope or chain to a cleats and then use the boat engine to break the anchor loose.
6. DURING THE NAVIGATION	<ul style="list-style-type: none"> <li>Engage the Chain stopper</li> <li>Engage the Clutch</li> <li>Turn Off the Circuit breaker</li> </ul>	Windlass must not be used as the sole means of securing the anchor to the bow fitting. Anchors should be independently secured to prevent accidental release. Use a chain stopper or a lanyard to do that.
7. LOWERING THE ANCHOR BY THE CLUTCH	<ul style="list-style-type: none"> <li>Disengage the Chain stopper</li> <li>Turn Off the Circuit breaker</li> </ul>	Disengage the clutch. As the chain falls , it can be controlled by the clutch handle . At the end of the operation engage the clutch.
8. USE THE DRUM	<ul style="list-style-type: none"> <li>Engage the Chain stopper</li> <li>Turn On the Circuit breaker</li> </ul>	Disengage the clutch. Turn clockwise around the drum with 2-3 laps of rope. Keep the end of rope. Push the button UP , recovering the rope at the same time.
9. USE OF THE MANUAL EMERGENCY	<ul style="list-style-type: none"> <li>Disengage the Chain stopper</li> <li>Engage the Clutch</li> <li>Turn Off the Circuit breaker</li> </ul>	Insert the handle into the star-shaped slot (912 or 993) and turn it clockwise to exceed the gearbox spring strength (541). The stress will be hard in case of deep anchoring.

## MAINTENANCE PROGRAM

Below are indicated the operations and the period we consider essential to get the best efficiency and performance of your anchor windlass.

- Clean all the outer surfaces and the hidden points with fresh water and remove the salt layer.
- Grease the outer rotation parts . Particularly the main shaft thread and the clutch cones. Check for evidences of corrosion and stress.
- Check the terminals of the electric motor. Test the drop of voltage at the terminals.
- Replace of the all outer seals. The gearbox is proper filled with SAE 90 long life oil.
- Remove the windlass from the deck to clean the salt under the base plate.

	YEARLY FREQUENCY OF USE OF THE BOAT			
	LESS THAN 2 MONTHS	FROM 2 TO 6 MONTHS	OVER 6 MONTHS	CHARTER
EVERY 3 MONTHS			A,B	A,B
EVERY 6 MONTHS		A,B		
EVERY 12 MONTHS	A,B,C	C	C	C,D
AFTER 24 MONTHS		D	D	E
AFTER 36 MONTHS	D,E	E	E	

## REMOVING THE FINGER

The finger (998) device was designed to work with the rope-chain. If you use chain only we suggest to remove it to avoid wear and tear and noise. You can fit the plug (945) where the finger was previously installed. The disinstallation needs 4 steps :

1. Low profile model : Unscrew the (993). Standard model : unscrew the (912) and remove the (991). Remove the (990 , 988) and the (989).
2. Unscrew the two (984) and (907) and extract the (983).
3. Turn the (983) and unscrew the (293) and the (998 , 906). Insert the (945) into (998) and screw (293) again. Remove (909) from the (980).
4. Remount the (983) and all the other parts.

## LOFRANS LIMITED INTERNATIONAL WARRANTY

Lofrans warrants this product for a period of 2 years subjected to the conditions listed below :

1. The product must be registered. The registration must be done within 30 days from the date of purchase by one of these options : online going to the web site [www.lofrans.com](http://www.lofrans.com) under the page "Product Registration" and following the instructions or by faxing to +039 2004299 the completed registration card attached to the instruction manual.
2. This warranty starts from the date of purchase of the product from the original purchaser. If the product is first equipment of a new boat the warranty starts from the date of purchase of the boat.
3. This warranty covers original defects in material and workmanship.
4. This warranty is limited to the repairment and/or the replacement of the original defective part.
5. The claim of warranty must be promptly notified in writing and sent by fax or e-mail to Lofrans or Lofrans authorised distributor providing the serial number of the product and the registration warranty number. Lofrans reserves the right to require the proof of purchase of the product to accept the claim of warranty.
6. The defective part/product must be returned to Lofrans or Lofrans authorized distributor. List of authorised distributors is available on the web site [www.lofrans.com](http://www.lofrans.com).
7. This warranty does not cover failures due to : use of the product in applications for which they are not intended , corrosion , normal wear and tear , discoloration , unauthorised alteration of the product , improper installation , incorrect use or maintenance of the product , conditions that exceed the product's performance specifications
8. This warranty does not cover any loss or damages to the original purchaser due to a proven non conformity of the product with the exception of the cases ruled by the Italian law.
9. Lofrans reserves the right to disclaim the warranty in case the product be controlled by improper electric devices and/or in case of non installation of a proper circuit breaker on the electric power line.

The consumer statutory rights are not affected by this warranty according to the national legislation, disciplining the sale of goods.

This warranty is ruled by the Italian law

For every controversy the Court of Milan is competent exclusively.

## APPENDIX

GIpsy CODE	TIPE OF CHAIN	Diagram 1: Chain Link		Diagram 2: Rope
		DIAMETER	PITCH	
08102	8 ISO	8 mm	24 mm	16 mm – 5/8"
	8 German Din 766	8 mm	24 mm	16 mm – 5/8"
	5/16" American Acco BBB	5/16"	1,00"	16 mm – 5/8"
	5/16" American G-4 ISO	5/16"	1,03"	16 mm – 5/8"
10103	10 ISO	10 mm	30 mm	18 mm – 3/4"
	3/8" American G-4 ISO	3/8"	1,23"	18 mm – 3/4"
10104	10 German Din 766	10 mm	28 mm	18 mm – 3/4"
12101	12 ISO	12 mm	36 mm	20 mm – 3/4"
	7/16" American G-4 ISO			20 mm – 3/4"

## PRESENTAZIONE DEL PROJECT X3

Grazie per aver scelto Lofrans. Il Project X3 è il nuovo salpa-ancore Lofrans progettato per barche da 12 fino a 18 metri di lunghezza. Queste sono le caratteristiche principali :

- Standard finiture cromate
- Potenza nominale a parametro S2 - 11 minuti : 1200W-1500W
- Motore elettrico stagno IP 66
- Barbotin sottoposto a trattamento di nichelatura
- Funzionamento cima-catena con catena 8-10-12 e cima da 16-18-20
- Albero principale in acciaio inossidabile AISI 431
- Cuscinetto della base stagno in acciaio inossidabile AISI 440
- Campana indipendente dal barbotin
- Possibilità di emergenza manuale
- Velocità di recupero : da 18 a 24 mt/min
- Consumo : from 80-130A (12V) , from 50-80 A (24V)
- Tiro massimo istantaneo : Kgs 1100-1500 approx
- Peso : Kgs 32

## INFORMAZIONI SULLA SICUREZZA

- Il salpa-ancore non è progettato per essere utilizzato come presa di forza a bordo dell'imbarcazione. La cima o la catena devono essere fissate a punti fissi come bitte o altro.
- Assistere il salpa-ancore durante l'operazione di recupero , dirigendo l'imbarcazione verso il punto di ancoraggio alla minima velocità.
- Installare sempre un appropriato interruttore salvamotore per proteggere il circuito ed il motore elettrico da surriscaldamento e danni.
- Disattivare sempre il salpa-ancore quando non è in uso , per prevenire azionamenti accidentali.
- Tenere sempre mani,piedi e dita lontane dal salpa-ancore quando è in azione. Se la catena si incastra , disattivare il salpa-ancore e con estrema cautela tentare di liberare la catena.
- Non utilizzare il salpa-ancore per impieghi diversi o in modo differente rispetto a quanto previsto dal presente manuale.

## REQUISITI MINIMI DELL'IMPIANTO ELETTRICO

La tabella sotto mostra i requisiti dell'impianto elettrico in funzione della potenza nominale del motore.

	1200 W 12V	1200 W 24V	1500 W 12V	1500 W 24V
A- Capacità della batteria	200 Ah	150 Ah	250 Ah	150 Ah
B- Dimensione cavi di potenza	35 mm <sup>2</sup> - 2 AWG	25 mm <sup>2</sup> - 3 AWG	50 mm <sup>2</sup> - 1 AWG	35 mm <sup>2</sup> - 2 AWG
C- Interruttore magneto-termico Lofrans	100 A	70 A	125 A	70 A
Fusibile	5 A	5 A	5 A	5 A
Dimensione fili di controllo	1,5 mm <sup>2</sup> - 14 AWG	1,5 mm <sup>2</sup> - 14 AWG	1,5 mm <sup>2</sup> - 14 AWG	1,5 mm <sup>2</sup> - 14 AWG

### NOTE

- A. Batteria di capacità inferiore peggiora le prestazioni del salpa-ancore ed è soggetta rapidamente ad usura.
- B. Questa sezione deve essere incrementata se la lunghezza dei cavi positivo e negativo è maggiore di 25 mt. Usare cavi di rame di tipo marino.
- C. L'interruttore salvamotore Master Winch protegge la linea da corti circuiti ed il motore in caso di surriscaldamento. Deve essere installato in un luogo accessibile per essere prontamente riattivato in caso di scatto. Può essere anche utilizzato per isolare il salpa-ancore dai comandi come suggeriamo di fare per evitare azionamenti accidentali. Tutti i comandi devono essere collegati in parallelo. Raccomandiamo fortemente di avere almeno due comandi per azionare il salpa-ancore in caso uno degli stessi sia danneggiato. Tutti gli accessori elettrici Lofrans sono approvati CE.

## REQUISITI GENERALI PER L'INSTALLAZIONE

Il salpa-ancore per funzionare correttamente deve essere posizionato in modo da soddisfare le seguenti condizioni :

**Fig.1** Il barbotin del salpa-ancore deve essere in linea col puntale.

**Fig.2** Il ponte deve essere piatto. La struttura della barca deve essere adeguata al carico sollevato. Rinforzare la coperta con un piano di supporto per distribuire lo sforzo se necessario.

**Fig.3** La caduta della catena nel gavone deve essere massimizzata perché la catena immagazzinata tende ad assumere la forma di piramide riducendo il salto e provocando inceppamenti. Occorre avere un minimo di A=300 mm tra la parte sotto del ponte e la cima del mucchio di catena raccolta. La forma del gavone della catena è importante per ridurre il problema della piramide. La catena in ingresso dal puntale può deviare di un angolo di circa 5°.

## PROCEDURA DI INSTALLAZIONE

**Fig.4** Posizionare con cura la dima di foratura sul ponte. Marchiare e forare come indicato in Fig.A. Lisciare gli spigoli vivi dei fori. La parte del bordo del foro catena in direzione della prua deve essere lisciato per un angolo di 45° come da Fig.B. Pulire e posizionare la guarnizione fornita.

**Fig.5** Rimuovere i 4 dadi (227) per separare la parte superiore dal riduttore.Posizionare con cura la parte superiore sulla coperta.

**Fig.6** Unire il riduttore alla parte superiore inserendo la linguetta (284) dell'albero principale nella sede sul riduttore . Allineare il motore lontano dal foro catena.

**Fig.7** Avvitare rondelle e dadi ai prigionieri. Serrare tutti i dadi in modo appropriato. Collegare i cavi provenienti dalla batteria al motore elettrico seguendo le indicazioni dello schema elettrico.

## TEST DI FUNZIONAMENTO

**ATTENZIONE ! NON AZIONARE IL SALPA-ANCORE SENZA LA CATENA O LA CIMA NEL BARBOTIN PER NON DANNEGGIARE LA PARTE (998)-FINGER**

**Fig.8** Introdurre la catena nel barbotin. Tenere lontano mani e piedi dal barbotin e dalla catena in movimento.

**Fig.9** Accendere il comando. Premere il tasto UP. La catena verrà recuperata. Rilasciare il tasto UP. Premere il tasto DOWN. La catena verrà rilasciata. Se il salpa-ancore ruota nella direzione errata invertire i cavi UP e DOWN sul control box.

**Fig.10** Controllare che i dadi di fissaggio siano serrati dopo i primi ancoraggi.

## USO DEL SALPA-ANCORE

Le operazioni base da conoscere sono rilasciare e sollevare l'ancora elettricamente. Questo prodotto è equipaggiato con frizioni coniche che ti permettono di rilasciare l'ancora senza usare il motore elettrico. Lofrans raccomanda vivamente di usare il chain stopper con i propri salpa-ancore. Il chain stopper è un dispositivo installato sulle barche per tenere la catena in posizione sul ponte ed impedire un rilascio accidentale. Esso deve essere usato per assicurare l'ancora dopo l'ancoraggio.

OPERAZIONE	PRIMA ...	POI ...
1. USO DELLA FRIZIONE SUL MODELLO LOW PROFILE	-	Per aprire la frizione inserire la leva (272) nella sede a stella posta sul volantino copribarbotin (993) ed allentarlo. Per chiudere serrare il volantino copribarbotin finchè la leva non possa muoversi ulteriormente. L'ancora e la catena provvederanno a fare la resistenza durante il serraggio.
2. USO DELLA FRIZIONE SUL MODELLO STANDARD	-	Per aprire la frizione inserire la leva (272) nel volantino (912) ed allentarlo. Per chiudere la frizione serrarlo finchè la leva non possa muoversi ulteriormente.
3. RILASCIARE L'ANCORA COL IL MOTORE ELETTRICO	<ul style="list-style-type: none"> <li>Disattivare il Chain stopper</li> <li>Chiudere la frizione</li> <li>Attivare il magneto-termico</li> </ul>	Premere il pulsante DOWN. Calando elettricamente si ha una perfetta padronanza della manovra, che può essere interrotta rilasciando il pulsante DOWN.
4. DOPO L'ANCORAGGIO	<ul style="list-style-type: none"> <li>Attivare il Chain stopper</li> <li>Chiudere la frizione</li> <li>Disattivare il magneto-termico</li> </ul>	Ridurre lo sforzo sul salpa-ancore con il chain stopper oppure legando con una cima legare la catena ad un punto fisso.
5. SALPARE L'ANCORA	<ul style="list-style-type: none"> <li>Disattivare il Chain stopper</li> <li>Chiudere la frizione</li> <li>Attivare il magneto-termico</li> </ul>	Accendere il motore dell'imbarcazione. Premere il tasto UP e con la barca al minimo dirigersi verso il punto di ancoraggio. <b>Non usare il salpa-ancore per tirare la barca verso il punto di ancoraggio.</b> Rilasciare il tasto UP per fermare l'operazione. Prestare la massima attenzione alla velocità dell'ancora che potrebbe danneggiare la prua dell'imbarcazione. In caso l'ancora sia incagliata e l'interruttore salva-motore sia scattato, aspettare qualche minuto prima di riarmarlo per riprovare la manovra. Se l'interruttore scatta di nuovo, consigliamo di manovrare l'imbarcazione per disincagliare l'ancora.
6. DURANTE LA NAVIGAZIONE	<ul style="list-style-type: none"> <li>Attivare il Chain stopper</li> <li>Chiudere la frizione</li> <li>Disattivare il magneto-termico</li> </ul>	Il salpa-ancore non deve essere usato come principale punto di tenuta dell'ancora sul puntale. L'ancora deve essere assicurata in modo da prevenire un rilascio accidentale. Usare il chain stopper per fare questo.
7. RILASCIARE L'ANCORA CON LA FRIZIONE	<ul style="list-style-type: none"> <li>Disattivare il Chain stopper</li> <li>Disattivare il magneto-termico</li> </ul>	Aprire la frizione. La caduta della catena può essere frenata serrando il volantino con la leva. Alla fine della operazione chiudere la frizione.
8. USARE LA CAMPANA	<ul style="list-style-type: none"> <li>Attivare il Chain stopper</li> <li>Attivare il magneto-termico</li> </ul>	Aprire la frizione. Avvolgere la campana con 2-3 giri di cima in senso orario mantenendo in tensione l'estremo della cima non impegnato. Premere il tasto UP, recuperando nel contempo la cima. Chiudere la frizione al termine.
9. USO DELL'EMERGENZA MANUALE	<ul style="list-style-type: none"> <li>Disattivare il Chain stopper</li> <li>Chiudere la frizione</li> <li>Disattivare il magneto-termico</li> </ul>	Inserire la leva nel volantino (912 o 993) e ruotare in senso orario, vincendo la resistenza dovuta alla molla (541). Lo sforzo sarà notevole in caso di fondale profondo.

## PROGRAMMA DI MANUTENZIONE

Sotto sono indicate le operazioni ed il periodo che noi consideriamo essenziali per ottenere la migliore efficienza e prestazioni dal tuo salpa-ancore.

- Pulire tutte le superfici esterne ed i punti nascosti con acqua dolce e rimuovere lo strato di sale formatosi.
- Ingrassare le parti esterne che ruotano. In particolare il filetto dell'albero principale ed i cono frizione. Controllare la presenza di segni di corrosione e stress meccanici.
- Controllare i terminale del motore elettrico. Testare la caduta di tensione ai terminali.
- Sostituire tutte le guarnizioni esterne. Il riduttore è adeguatamente riempito con olio a lunga vita SAE 90.
- Rimuovere il salpa-ancore dal ponte per pulire il sale sotto la base e sigillare di nuovo.

	FREQUENZA ANNUALE D'USO DELLA BARCA			
	MENO DI 2 MESI	DA 2 A 6 MESI	SOPRA I 6 MESI	CHARTER
OGNI 3 MESI			A,B	A,B
OGNI 6 MESI		A,B		
OGNI 12 MESI	A,B,C	C	C	C,D
DOPO 24 MESI		D	D	E
DOPO 36 MESI	D,E	E	E	

## RIMOZIONE DEL DISPOSITIVO TENDI-CIMA

Il dispositivo finger (998) è stato progettato per funzionare con la cima catena. Se si usa solo catena noi suggeriamo di rimuoverlo per evitare una rapida usura e rumore. E' possibile riempire il vuoto lasciato dal finger dal tappo (945). La disinstallazione necessita di 4 passi :

1. Modello basso profilo : svitare il (993). Modello standard : svitare il (912) e rimuovere il (991). Rimuovere (990 , 988) ed il (989).
2. Svitare i due (984) ed il (907) ed estrarre il (983).
3. Ruotare il (983) e svitare il (293) e rimuovere il (998) ed il (906). Inserire il (945) nel (998) ed avvitare il (293) ancora. Rimuovere il (909) dal (980).
4. Rimontare il (983) e tutte le altre parti.

## GARANZIA INTERNAZIONALE LIMITATA LOFRANS

Lofrans garantisce questo prodotto per un periodo di 2 anni alle condizioni elencate sotto :

1. Il prodotto deve essere registrato. La registrazione deve avvenire entro 30 giorni dalla data di acquisto del prodotto mediante una di queste opzioni : collegarsi al sito [www.lofrans.com](http://www.lofrans.com) alla pagina "Registrazione Prodotto" seguendo le istruzioni , oppure inviare al numero di fax 039 2004299 la carta di registrazione completata , allegata al manuale di istruzioni.
2. La garanzia ha inizio dalla data di acquisto del prodotto da parte dell'acquirente originale. Se il prodotto è primo equipaggiamento di una nuova imbarcazione fa fede la data di acquisto dell' imbarcazione.
3. La garanzia copre difetti di materiale e lavorazione presenti all'origine.
4. La garanzia si limita alla riparazione e/o sostituzione dei componenti difettosi all'origine.
5. La chiamata di garanzia deve essere notificata per iscritto ed inviata via fax od e-mail direttamente a Lofrans od ad un suo distributore autorizzato , allegando il numero di serie del prodotto ed il numero di garanzia ottenuto dalla registrazione prodotto. Lofrans si riserva il diritto di richiedere una prova di acquisto del prodotto.
6. Il particolare/prodotto difettoso deve essere inviato a Lofrans oppure al suo distributore autorizzato. La lista dei distributori autorizzati è disponibile presso il sito [www.lofrans.com](http://www.lofrans.com).
7. La garanzia non copre difetti originati da : uso del prodotto in applicazioni per la quale non e' stato concepito , corrosione , normale usura , perdita di colore , modifica non autorizzata del prodotto , impropria installazione , uso o manutenzione non corretta del prodotto, uso del prodotto in condizioni che eccedano le prestazioni dichiarate .
8. La presente garanzia non copre alcuna perdita o danno derivante all'acquirente dalla accertata non conformità del prodotto , salvo il caso di dolo o colpa grave di Lofrans dichiarato con sentenza passata in giudicato.
9. Lofrans si riserva il diritto di non riconoscere la presente garanzia in caso il prodotto sia azionato da accessori elettrici non adeguati e/o in caso di mancata installazione di un appropriato interruttore salva-motore sulla linea elettrica di potenza.

Questa garanzia lascia inalterati i diritti del consumatore secondo la legislazione nazionale vigente , disciplinante la vendita dei beni di consumo.

La presente garanzia è regolata dalla legge Italiana.

Per ogni controversia è competente in via esclusiva il Foro di Milano.

## APPENDICE

CODICE BARBOTIN	TIPO DI CATENA	Diagramma della catena		DIAMETRO CIMA
		DIAMETRO	PASSO	
08102	8 ISO	8 mm	24 mm	16 mm – 5/8"
	8 German Din 766	8 mm	24 mm	16 mm – 5/8"
	5/16" American Acco BBB	5/16"	1,00"	16 mm – 5/8"
	5/16" American G-4 ISO	5/16"	1,03"	16 mm – 5/8"
10103	10 ISO	10 mm	30 mm	18 mm – 3/4"
	3/8" American G-4 ISO	3/8"	1,23"	18 mm – 3/4"
10104	10 German Din 766	10 mm	28 mm	18 mm – 3/4"
12101	12 ISO	12 mm	36 mm	20 mm – 3/4"
	7/16" American G-4 ISO			20 mm – 3/4"



## PRESENTATION DU PROJET X3

Merci d'avoir choisi Lofrans. Le Project X3 est le nouveau guindeau Lofrans conçu pour des bateaux de 12 à 18 mètres de longueur. Ses caractéristiques principales sont :

- Finitions chromées standard
- Puissance nominale au paramètre S2 - 11 minutes : 1200W-1500W
- Moteur électrique étanche IP 66
- Barbotin soumis à un traitement de nickelage
- Fonctionnement chaîne cordage avec chaîne 8-10-12mm-5/16"HT-5/16"BBB-3/8"HT-7/16"HT et cordage diamètre 16-18-20mm – 5/8"-3/4"
- Palier de la base étanche en acier inoxydable AISI 440
- Poupée indépendante du barbotin
- Possibilité de bouton d'urgence manuel
- Vitesse de récupération : de 18 à 24 m/min
- Consommation : de 80-130 A (12V) , de 50-80 A (24V)
- Tirage maximum instantané : Kgs 1100-1500 environ
- Poids : Kgs 32

## CONSIGNES DE SECURITÉ

- Le guindeau n'est pas conçu pour être utilisé comme un point d'amarrage à bord de l'embarcation. Le cordage ou la chaîne doivent être fixés à des points fixes tels que bitte ou autre.
- Aider le guindeau pendant l'opération de récupération, en dirigeant le bateau vers le point de mouillage à la vitesse minimum.
- Toujours installer un interrupteur protège-moteur afin de protéger le circuit et le moteur électrique de toute surchauffe et des problèmes en résultant.
- Toujours désarmer le guindeau quand il n'est pas utilisé, afin d'éviter tout actionnement accidentel.
- Toujours garder les mains, les pieds et les doigts à bonne distance du guindeau quand ce dernier est en train de fonctionner. Si la chaîne se coince, désarmer le guindeau et, avec la plus grande prudence, essayer de libérer la chaîne.
- Ne pas utiliser le guindeau pour des utilisations autres ou d'une façon différente de ce qui est prévu dans le présent manuel.

## CONDITIONS REQUISES MINIMUM POUR LE CIRCUIT ELECTRIQUE

Le tableau ci-dessous indique les conditions requises pour l'installation électrique en fonction de la puissance nominale du moteur.

	1200 W 12V	1200 W 24V	1500 W 12V	1500 W 24V
A- Capacité de la batterie	200 Ah	150 Ah	250 Ah	150 Ah
B- Dimension des câbles de puissance	35 mm <sup>2</sup> - 2 AWG	25 mm <sup>2</sup> - 3 AWG	50 mm <sup>2</sup> - 1 AWG	35 mm <sup>2</sup> - 2 AWG
C- Interrupteur magnéto-thermique Lofrans	100 A	70 A	125 A	70 A
Fusible	5 A	5 A	5 A	5 A
Dimension fils de commande	1,5 mm <sup>2</sup> - 14 AWG	1,5 mm <sup>2</sup> - 14 AWG	1,5 mm <sup>2</sup> - 14 AWG	1,5 mm <sup>2</sup> - 14 AWG

## REMARQUES

- D. Une batterie d'une capacité inférieure diminuerait les performances du guindeau et subirait une usure rapide.
- E. Cette section doit être augmentée si la longueur des câbles positif et négatif est supérieure à 25 m. Utiliser des câbles en cuivre de type marin.
- F. L'interrupteur protège-moteur Lofrans protège la ligne contre les courts-circuits, ainsi que le moteur, en cas de surchauffe. Il doit être installé dans un endroit accessible pour être rapidement réarmé en cas de déclenchement. Il peut également être utilisé pour isoler le guindeau des commandes comme nous conseillons de le faire afin d'éviter tout actionnement accidentel.
- Toutes les commandes doivent être raccordées en parallèle. Nous recommandons fortement d'avoir au moins deux commandes pour actionner le guindeau au cas où l'une des deux serait en panne. Tous les accessoires électriques Lofrans ont l'approbation CE.

## CONDITIONS REQUISES GENERALES POUR L'INSTALLATION

Le guindeau doit, pour fonctionner correctement, être positionné de manière à répondre aux conditions suivantes :

- Fig.1** Le barbotin du guindeau doit être aligné avec le creux sur quille.
- Fig.2** Le pont doit être plat. La structure du bateau doit être appropriée à la charge soulevée. Renforcer le pont supérieur avec un plan de support pour répartir l'effort si nécessaire.
- Fig.3** La chute de la chaîne dans le puits doit être maximale car la chaîne emmagasinée a tendance à prendre la forme d'une pyramide, ce qui réduit le saut et provoque des coincements. Il faut avoir un minimum de A=300 mm entre la partie inférieure du pont et le sommet du tas de chaîne rangée. La forme du puits de la chaîne est importante et peut réduire le problème de la pyramide. La chaîne à l'entrée du creux sur quille peut dévier d'un angle d'environ 5°.

## PROCEDURE D'INSTALLATION

- Fig.4** Positionner avec soin le gabarit de perçage sur le pont. Marquer et percer comme indiqué sur la Fig.A. Poncer les arêtes vives des trous. La partie du bord du trou de chaîne dirigée vers la proue doit être poncée en prévoyant un angle de 45° comme sur la Fig.B. Nettoyer et installer le joint fourni.
- Fig.5** Desserrer les 4 écrous (227) pour séparer la partie supérieure du réducteur. Positionner avec soin la partie supérieure sur le pont.
- Fig.6** Assembler le réducteur à la partie supérieure en introduisant la languette (284) de l'arbre principal dans le logement sur le réducteur. Aligner le moteur loin du trou de chaîne.
- Fig.7** Visser les rondelles et les écrous sur les goujons restants. Serrer tous les écrous comme il se doit. Raccorder les câbles provenant de la batterie au moteur électrique en suivant les indications du schéma électrique.

## ESSAI DE FONCTIONNEMENT

**ATTENTION ! NE PAS ACTIONNER LE GUINDEAU SANS LA CHAÎNE OU LE CORDAGE DANS LE BARBOTIN AFIN DE NE PAS ENDOMMAGER LA PARTIE (998)**

- Fig.8** Introduire la chaîne dans le barbotin. Garder mains et pieds à bonne distance du barbotin et de la chaîne en mouvement.
- Fig.9** Allumer les commandes. Appuyer sur la touche UP. La chaîne sera récupérée. Relâcher la touche UP. Appuyer sur la touche DOWN. La chaîne sera relâchée. Si le guindeau tourne dans le mauvais sens inverser les câbles UP et DOWN dans l'armoire de commande.
- Fig.10** Vérifier que les écrous de fixation sont bien serrés après les premiers mouillages.

## UTILISATION DU GUINDEAU

Les opérations de base qu'il faut connaître consistent à mouiller l'ancre et à la relever électriquement. Ce produit est équipé d'embrayages à cônes qui permettent de mouiller l'ancre sans utiliser le moteur électrique. Lofrans recommande vivement d'utiliser un chain stopper avec ses guindeaux. Le chain stopper est un dispositif installé sur les bateaux pour maintenir la chaîne en position sur le pont et empêcher toute descente accidentelle de l'ancre. Il doit être utilisé pour bloquer l'ancre après le mouillage.

OPERATION	AVANT ...	APRES ...
1. UTILISATION DE L'EMBAYAGE SUR LE MODELE LOW PROFILE	-	Pour débrayer introduire la manivelle (272) dans le logement en étoile situé sur le volant couvre-barbotin (993) et desserrer ce dernier. Pour refermer serrer le volant couvre-barbotin jusqu'à ce que la manivelle levier ne puisse plus bouger. L'ancre et la chaîne opposeront une résistance pendant le serrage.
2. UTILISATION DE L'EMBAYAGE SUR LE MODELE STANDARD	-	Pour débrayer introduire la manivelle (272) dans le volant (912) et le desserrer. Pour embrayer, serrer jusqu'à ce que la manivelle ne puisse plus bouger.
3. MOUILLER L'ANCRE AVEC LE MOTEUR ELECTRIQUE	<ul style="list-style-type: none"> <li>Désactiver le chain stopper</li> <li>Embrayer</li> <li>Activer le magnéto-thermique</li> </ul>	Appuyer sur le bouton DOWN. En descendant électriquement on maîtrise parfaitement la manœuvre, qui peut être interrompue en relâchant le bouton DOWN.
4. APRES LE MOUILLAGE	<ul style="list-style-type: none"> <li>Activer le chain stopper</li> <li>Embrayer</li> <li>Désactiver le magnéto-thermique</li> </ul>	Réduire l'effort sur le guindeau avec le chain stopper ou en attachant la chaîne à un point fixe à l'aide d'une corde.
5. RELEVER L'ANCRE	<ul style="list-style-type: none"> <li>Désactiver le chain stopper</li> <li>Embrayer</li> <li>Activer le magnéto-thermique</li> </ul>	Mettre le moteur du bateau en marche. Appuyer sur la touche UP et avec le bateau à la vitesse minimum se diriger vers le point de mouillage. <b>Ne pas utiliser le guindeau pour tirer le bateau vers le point de mouillage.</b> Relâcher la touche UP pour arrêter l'opération. Prêter la plus grande attention à la vitesse de l'ancre qui pourrait endommager la proue de l'embarcation. Au cas où l'ancre serait accrochée quelque part et où le protège-moteur se serait déclenché, attendre quelques minutes pour réarmer ce dernier et retenter la manœuvre. Si l'interrupteur se déclenche à nouveau, nous conseillons de manœuvrer le bateau de façon à libérer l'ancre.
6. PENDANT LA NAVIGATION	<ul style="list-style-type: none"> <li>Activer le chain stopper</li> <li>Embrayer</li> <li>Désactiver le magnéto-thermique</li> </ul>	Le guindeau ne doit pas être utilisé comme point principal pour maintenir l'ancre sur le creux sur quille. L'ancre doit être bloquée de manière à prévenir toute descente accidentelle. Pour ce faire, utiliser le chain stopper.
7. MOUILLER L'ANCRE AVEC L'EMBAYAGE	<ul style="list-style-type: none"> <li>Désactiver le chain stopper</li> <li>Désactiver le magnéto-thermique</li> </ul>	Débrayer. La chute de la chaîne peut être freinée en serrant le volant avec la manivelle. A la fin de l'opération, embrayer.
8. UTILISER LA LOUPÉE	<ul style="list-style-type: none"> <li>Activer le chain stopper</li> <li>Activer le magnéto-thermique</li> </ul>	Débrayer. Enrouler autour de la poupée 2 ou 3 tours de cordage dans le sens des aiguilles d'une montre, en gardant tendue l'extrémité du cordage non enroulée. Appuyer sur la touche UP, en récupérant en même temps le cordage. Embrayer à la fin de l'opération.
9. UTILISATION DU BOUTON D'URGENCE MANUEL	<ul style="list-style-type: none"> <li>Désactiver le chain stopper</li> <li>Embrayer</li> <li>Désactiver le magnéto-thermique</li> </ul>	Introduire la manivelle dans le volant (912 ou 993) et tourner dans le sens des aiguilles d'une montre, pour vaincre la résistance due au ressort (541). L'effort sera très important en cas de grande profondeur.

## PROGRAMME D'ENTRETIEN

Vous trouverez ci-dessous les opérations et la fréquence que nous estimons essentielles pour obtenir la meilleure efficacité et les meilleurs performances de votre guindeau.

- F. Nettoyer toutes les surfaces externes et les endroits cachés avec de l'eau douce pour éliminer la couche de sel qui s'est formée.
- G. Graisser les parties externes qui tournent. En particulier le filet de l'arbre principal et les cônes d'embrayage. Contrôler la présence d'éventuels signes de stress mécanique.
- H. Contrôler les bornes terminales du moteur électrique. Tester la chute de tension sur les bornes terminales.
- I. Remplacer tous les joints externes. Le réducteur doit être rempli comme il se doit d'huile de longue durée SAE 90.
- J. Retirer le guindeau du pont pour nettoyer le sel sous sa base et le sceller de nouveau.

	FREQUENCE ANNUELLE D'UTILISATION DU BATEAU			
	MOINS DE 2 MOIS	DE 2 À 6 MOIS	PLUS DE 6 MOIS	CHARTER
TOUT LES 3 MOIS			A,B	A,B
TOUT LES 6 MOIS		A,B		
TOUT LES 12 MOIS	A,B,C	C	C	C,D
APRÈS 24 MOIS		D	D	E
APRÈS 36 MOIS	D,E	E	E	

## RETIRER LE DISPOSITIF TENDEUR DE CORDAGE

Le dispositif doigt (998) a été conçu pour fonctionner avec la chaîne cordage. Si l'on utilise seulement une chaîne, nous suggérons de l'enlever afin d'éviter une usure rapide et du bruit inutile. Il est possible de remplir le vide laissé par le doigt avec le bouchon (945). Pour le désinstaller respecter les 4 étapes suivantes :

5. Modèle bas profil : dévisser le (993); Modèle standard : dévisser le (912) et enlever le (991). Retirer (990 , 988) et le (989).
6. Dévisser les deux (984 ,907) et retirer le (983).
7. Tourner le (983), dévisser le (293) et enlever le (998) et le (906). Introduire le (945) dans le (998) et visser le (293) à nouveau. Enlever le (909) du (980).
8. Remonter le (983) et toutes les autres pièces.

## GARANTIE INTERNATIONALE LIMITÉE LOFRANS

Lofrans garantit ce produit pour une période de 2 ans si les conditions énumérées ci-dessous sont respectées :

10. Le produit doit être enregistré. L'enregistrement doit avoir lieu dans les 30 jours qui suivent la date d'achat du produit au moyen de l'une des options suivantes : aller sur le site [www.lofrans.com](http://www.lofrans.com) à la page "Enregistrement Produit" et suivre les instructions données, ou bien envoyer la feuille d'enregistrement jointe au Manuel d'instructions dûment remplie au n° de fax suivant : +39 039 2004299 .
11. La garantie commence à la date d'achat du produit par l'acheteur d'origine. Si le produit est le premier équipement d'un nouveau bateau, c'est la date d'achat de ce bateau qui fait foi.
12. La garantie couvre les défauts de matériel et d'usure présents à l'origine.
13. La garantie se limite à la réparation et/ou au remplacement des éléments défectueux à l'origine.
14. La demande de garantie doit être notifiée par écrit et envoyée par fax ou poste électronique directement à Lofrans ou à l'un de ses distributeurs agréés, en joignant le numéro de série du produit et le numéro de garantie délivré lors de l'enregistrement produit. Lofrans se réserve le droit de demander une preuve d'achat du produit.
15. La pièce/ produit défectueux doit être envoyé à Lofrans ou à l'un de ses distributeurs agréés. La liste des distributeurs agréés est disponible sur le site [www.lofrans.com](http://www.lofrans.com)
16. La garantie ne couvre pas les défauts générés par : une utilisation du produit pour des applications pour lesquelles il n'a pas été conçu, la corrosion , l'usure normale , la perte de couleur , une modification non autorisée du produit , une mauvaise installation, une utilisation ou un entretien incorrect du produit, une utilisation du produit dans des conditions qui sortent des limites de performance déclarées .
17. La présente garantie ne couvre pas de perte ou de dommage causé à l'acheteur par la non conformité reconnue du produit , sauf cas de dol ou faute grave de Lofrans déclarée par jugement exécutoire.
18. Lofrans se réserve le droit de ne pas reconnaître la présente garantie au cas où le produit est actionné par des accessoires électriques non appropriés et/ou au cas où un interrupteur protège-moteur adéquat n'a pas été installé sur la ligne électrique de puissance.

Cette garantie garde les droits du consommateur intacts, selon la législation nationale en vigueur, régissant la vente des biens de consommation.

La présente garantie est régie par la loi italienne.

Pour tout litige, le Tribunal de Milan est le seul compétent.

## ANNEXE

CODE BARBOTIN	TYPE DE CHAINE	Diagramme technique		
		DIAMETRE	PAS	DIAMETRE CORDAGE
08102	8 ISO 8 German Din 766 5/16" American Acco BBB 5/16" American G-4 ISO	8 mm 8 mm 5/16" 5/16"	24 mm 24 mm 1,00" 1,03"	16 mm – 5/8" 16 mm – 5/8" 16 mm – 5/8" 16 mm – 5/8"
10103	10 ISO 3/8" American G-4 ISO	10 mm 3/8"	30 mm 1,23"	18 mm – 3/4" 18 mm – 3/4"
10104	10 German Din 766	10 mm	28 mm	18 mm – 3/4"
12101	12 ISO 7/16" American G-4 ISO	12 mm	36 mm	20 mm – 3/4" 20 mm – 3/4"

## PRÄSENTATION DES PROJECT X3

Wir danken Ihnen, dass Sie sich für Lofrans entschieden haben. Project X3 ist die neue Lofrans Ankerwinde, die für Boote von 12 bis 18 Meter Länge konstruiert wurde. Ihre Hauptmerkmale sind:

- Standardmäßig verchromte Oberflächen
- Nennleistung bei Parameter S2 – 11 Minuten: 1200W-1500W
- Wasserdichter Elektromotor IP 66
- Betrieb Tau-Kette mit 8-10-12 Kette-5/16“HAT-5/16“BBB-3/8“HAT-7/16“HT und Tau Durchmesser 16-18-20 mm-5/8“-3/4“
- Antriebswelle aus rostfreiem Stahl AISI 431
- Lager der wasserdichten Basis aus rostfreiem Stahl AISI 440
- Von der Kettennuss unabhängiger Windenkopf
- Möglichkeit des manuellen Empor-tauchens
- Aufholgeschwindigkeit: 18 bis 24 m/min
- Verbrauch : 80-130 A (12 V), 50-80 A (24 V)
- Losbrechkraft: ca 1100-1500 kg
- Gewicht : 32 kg

## SICHERHEITSHINWEISE

- Die Ankerwinde wurde nicht zur Verwendung als Zapfwelle an Bord des Bootes projektiert. Das Tau oder die Kette müssen an Fixpunkten wie Poller oder anderem befestigt werden.
- Die Ankerwinde beim Einholen unterstützen, indem das Boot bei Minimalgeschwindigkeit in Richtung Ankerstelle gefahren wird.
- Installieren Sie stets einen geeigneten Motorschutzschalter, um den Stromkreis und den Elektromotor vor Überhitzung und Schäden zu schützen.
- Die Ankerwinde immer ausschalten, wenn sie nicht benutzt wird, um ein zufälliges Ingangsetzen zu vermeiden.
- Hände, Füße und Finger stets von der Ankerwinde fern halten, wenn diese in Betrieb ist. Wenn sich die Kette verfängt, die Ankerwinde ausschalten und ganz vorsichtig versuchen, die Kette zu lösen.
- Die Ankerwinde nicht für andere Zwecke oder auf andere als in diesem Handbuch angegebene Weise verwenden.

## MINDESTANFORDERUNGEN AN DIE ELEKTROANLAGE

Die nachstehende Tabelle zeigt die Anforderungen an die Elektroanlage je nach Nennleistung des Motors.

	1200 W 12V	1200 W 24V	1500 W 12V	1500 W 24V
A- Batterieleistung	200 Ah	150 Ah	250 Ah	150 Ah
B- Größe der Leistungskabel	35 mm <sup>2</sup> - 2 AWG	25 mm <sup>2</sup> - 3 AWG	50 mm <sup>2</sup> - 1 AWG	35 mm <sup>2</sup> - 2 AWG
C- Magneto-thermischer Schalter Lofrans	100 A	70 A	125 A	70 A
Sicherung	5 A	5 A	5 A	5 A
Größe der Steuerdrähte	1,5 mm <sup>2</sup> - 14 AWG	1,5 mm <sup>2</sup> - 14 AWG	1,5 mm <sup>2</sup> - 14 AWG	1,5 mm <sup>2</sup> - 14 AWG

## ANMERKUNGEN

- G. Eine Batterie von geringerer Leistung verringert die Leistungen der Ankerwinde und verschleißt schnell.
- H. Dieser Querschnitt muss erhöht werden, wenn die Länge des positiven und negativen Kabels mehr als 25 m beträgt. Seewasserbeständige Kupferkabel verwenden.
- I. Der Motorschutzschalter Master Winch schützt die Leitung vor Kurzschlüssen und den Motor bei Überhitzung. Er muss an einer leicht zugänglichen Stelle installiert werden, um bei Auslösung schnell wieder eingeschaltet werden zu können. Der Schalter kann auch benutzt werden, um die Ankerwinde von den Steuerungen zu isolieren, wie wir empfehlen, um ein zufälliges Einschalten zu vermeiden.
- Sämtliche Steuerungen müssen parallel geschaltet werden. Wir empfehlen, mindestens zwei Steuerungen zum Einschalten der Ankerwinde zur Verfügung zu haben, falls eine beschädigt sein sollte. Das gesamte elektrische Zubehör Lofrans ist EG-zertifiziert.

## ALLGEMEINE ANFORDERUNGEN FÜR DIE INSTALLATION

Damit die Ankerwinde richtig funktioniert, müssen bei ihrer Installation folgende Vorkehrungen getroffen werden:

- Abb.1** Die Kettennuss der Ankerwinde muss mit der Raumstütze ausgerichtet sein.
- Abb.2** Das Deck muss flach sein. Die Struktur des Bootes muss der angehobenen Last angemessen sein. Gegebenenfalls das Oberdeck mit einer Unterlage verstärken, um das Gewicht zu verteilen.
- Abb.3** Das Fallen der Kette in die Piek muss erhöht werden, weil die gelagerte Kette dazu neigt, eine Pyramidenform anzunehmen, wodurch die Fallhöhe reduziert und ein Hängenbleiben bewirkt wird. Der Abstand zwischen dem Teil unter dem Deck und der Spitze des Kettenbergs muss mindestens **A=300 mm** betragen. Die Form der Piek der Kette ist wichtig, um das Problem der Pyramide zu reduzieren. Die Kette im Eingang von der Raumstütze kann um einen Winkel von ca. 5° abweichen.

## INSTALLATIONSVERFAHREN

- Abb.4** Die Bohrschablone vorsichtig auf dem Deck positionieren. Wie in Abb. A anzeichnen und bohren. Die scharfen Kanten der Bohrungen glätten. Der Teil des Rands der Kettenöffnung in Richtung des Bugs muss für einen Winkel von 45° geglättet werden (siehe Abb. B). Reinigen und die mitgelieferte Dichtung positionieren.
- Abb.5** Die 4 Muttern (227) lockern, um den oberen Teil vom Getriebe zu trennen. Den oberen Teil sorgfältig auf dem Oberdeck positionieren.
- Abb.6** Das Getriebe mit dem oberen Teil verbinden, indem die Lasche (284) der Antriebswelle in den Sitz auf dem Getriebe eingeführt wird. Den Motor weit von der Kettenöffnung entfernt ausrichten und das Getriebe drehen.
- Abb.7** Unterlegscheiben und Muttern an die restlichen Gewindestifte anschrauben. Alle Muttern festziehen. Die aus der Batterie den Elektromotor anschließen, dabei die Anleitungen des Schaltplans befolgen.

## FUNKTIONSTEST

**ACHTUNG ! DIE ANKERWINDE NICHT OHNE DIE KETTE ODER DAS TAU IN DER KETTENUSS EINSCHALTEN, UM DEN FINGER-TEIL (998) NICHT ZU BESCHÄDIGEN.**

- Abb.8** Die Kette in die Kettennuss einführen. Hände und Füße von der Kettennuss und der sich bewegenden Kette fern halten.
- Abb.9** Die Steuerung einschalten. Die UP-Taste drücken. Die Kette wird eingeholt. Die UP-Taste loslassen. Die DOWN-Taste drücken. Die Kette wird losgelassen. Wenn sich die Ankerwinde in der falschen Richtung dreht, die Kabel UP und DOWN auf der Control Box umkehren.
- Abb.10** Nach dem ersten Ankern prüfen, ob die Befestigungsmuttern festgezogen sind.

## GEBRAUCH DER ANKERWINDE

Die wichtigsten Handlungen sind das elektrische Loslassen und Anheben des Ankers. Dieses Produkt ist mit Kegelkupplungen ausgerüstet, die gestatten, den Anker ohne den Einsatz des Elektromotors zu werfen. Lofrans empfiehlt, mit den Ankerwinden den Kettenstopper zu benutzen. Der Kettenstopper ist eine auf den Booten installierte Vorrichtung, um die Kette auf dem Deck in ihrer Position zu halten und ein zufälliges Loslassen zu verhindern. Er wird verwendet, um den Anker nach dem Anker zu sichern.

HANDLUNG	VORHER ...	NACHHER ...
1. GEBRAUCH DER KUPPLUNG BEIM MODELL LOW PROFILE	-	Zum Öffnen der Kupplung den Hebel (272) in den sternförmigen Sitz auf dem Kettenuusrad (993) einführen und lockern. Zum Schließen das Kettenuusrad festspannen, bis sich der Hebel nicht weiter bewegen kann. Der Anker und die Kette bilden während des Festspannens den Widerstand.
2. GEBRAUCH DER KUPPLUNG BEIM STANDARD-MODELL	-	Zum Öffnen der Kupplung den Hebel (272) in das Handrad (912) einführen und lockern. Zum Schließen der Kupplung das Handrad festspannen, bis sich der Hebel nicht weiter bewegen kann.
3. DEN ANKER MIT DEM ELEKTROMOTOR WERFEN	<ul style="list-style-type: none"> <li>Den Kettenstopper ausschalten</li> <li>Die Kupplung schließen</li> <li>Den Schutzschalter einschalten</li> </ul>	Die DOWN-Taste drücken. Beim elektrischen Absenken hat man eine perfekte Beherrschung des Vorgangs und kann diesen durch Loslassen der DOWN-Taste unterbrechen.
4. NACH DEM ANKERN	<ul style="list-style-type: none"> <li>Den Kettenstopper einschalten</li> <li>Die Kupplung schließen</li> <li>Den Schutzschalter ausschalten</li> </ul>	Mit dem Kettenstopper die Kraft auf die Ankerwinde reduzieren oder durch Anbinden mit einem Tau die Kette an einen Fixpunkt anbinden.
5. DEN ANKER LICHTEN	<ul style="list-style-type: none"> <li>Den Kettenstopper ausschalten</li> <li>Die Kupplung schließen</li> <li>Den Schutzschalter einschalten</li> </ul>	Den Bootsmotor einschalten. Die UP-Taste drücken und mit dem Boot in Minimalgeschwindigkeit in Richtung Ankerstelle fahren. <b>Die Ankerwinde nicht benutzen, um das Boot in Richtung Ankerstelle zu ziehen.</b> Die UP-Taste loslassen, um den Vorgang abubrechen. Größte Aufmerksamkeit auf die Geschwindigkeit des Ankers verwenden, der den Bug des Bootes beschädigen könnte. Sollten der Anker versandet und der Motorschutzschalter ausgelöst sein, einige Minuten warten, bevor er für einen erneuten Versuch wieder gerüstet wird. Wird der Schutzschalter erneut ausgelöst, empfehlen wir, das Boot zu bewegen, um den Anker zu befreien.
6. WÄHREND DES FAHRENS	<ul style="list-style-type: none"> <li>Den Kettenstopper einschalten</li> <li>Die Kupplung schließen</li> <li>Den Schutzschalter ausschalten</li> </ul>	Die Ankerwinde darf nicht als hauptsächlicher Haltepunkt des Ankers auf der Raumstütze benutzt werden. Den Anker so befestigen, dass ein zufälliges Loslassen vermieden wird. Dafür den Kettenstopper verwenden.
7. DEN ANKER MIT DER KUPPLUNG WERFEN	<ul style="list-style-type: none"> <li>Den Kettenstopper ausschalten</li> <li>Den Schutzschalter ausschalten</li> </ul>	Die Kupplung öffnen. Das Fallen der Kette kann durch Festspannen des Handrads mit dem Hebel gebremst werden. Am Ende des Vorgangs die Kupplung schließen.
8. DEN WINDENKOPF VERWENDEN	<ul style="list-style-type: none"> <li>Den Kettenstopper einschalten</li> <li>Den Schutzschalter einschalten</li> </ul>	Die Kupplung öffnen. Die Glocke mit 2-3 Tau-Umdrehungen in Uhrzeigersinn aufwickeln, dabei das Ende des nicht verwendeten Taus gespannt halten. Die UP-Taste drücken und in der Zwischenzeit das Tau einholen. Am Ende die Kupplung schließen.
9. GEBRAUCH DES MANUELLEN NOTHALTS	<ul style="list-style-type: none"> <li>Den Kettenstopper ausschalten</li> <li>Die Kupplung schließen</li> <li>Den Schutzschalter ausschalten</li> </ul>	Den Hebel in das Handrad (912 oder 993) einführen und in Uhrzeigersinn drehen, dabei den Widerstand durch die Feder (541) überwinden. Bei großer Tiefe ist die aufzubringende Kraft sehr hoch.

## WARTUNGSPLAN

Nachstehend sind die Vorgänge und Zeiten angegeben, die wichtig sind, um die beste Wirksamkeit und Leistung Ihrer Ankerwinde zu erzielen.

- K. Alle Außenflächen und versteckten Stellen mit Süßwasser reinigen und die sich gebildete Salzschiicht entfernen.
- L. Die rotierenden Außenteile schmieren. Insbesondere das Gewinde der Antriebswelle und die Kupplungskegel. Das Vorhandensein von
- M. Die Klemme des Elektromotors prüfen. Den Spannungsabfall an den Klemmen testen.
- N. Alle Außendichtungen ersetzen. Das Getriebe ist mit langlebigem Öl SAE 90 gefüllt.
- O. Die Ankerwinde vom Deck nehmen, um das Salz unter der Basis zu entfernen und erneut versiegeln.

BENUTZUNG DES BOOTES IM LAUFE EINES JAHRES				
	WENIGER ALS 2 MONATE	2 BIS 6 MONATE	MEHR ALS 6 MONATE	CHARTER
ALLE 3 MONATE			A,B	A,B
ALLE 6 MONATE		A,B		
ALLE 12 MONATE	A,B,C	C	C	C,D
NACH 24 MONATEN		D	D	E
NACH 36 MONATEN	D,E	E	E	

## AUSBAU DES FÜHRUNGSRMS

Die Finger-Vorrichtung (998) wurde für den Betrieb mit dem Kettentau konstruiert. Wenn nur Kette verwendet wird, empfehlen wir, die Vorrichtung zu entfernen, um ein schnelles Abnutzen und Lärm zu vermeiden. Es ist möglich, den vom Finger gelassenen Freiraum durch den Deckel (945) zu füllen. Der Abbau erfolgt in 4 Schritten:

9. Modell niedriges Profil : (993) abschrauben. Standard-Modell : (912) abschrauben und (991) entfernen. (990 , 988) und (989) entfernen.
10. Die beiden (984 , 907) abschrauben und (983) herausziehen.
11. (983) drehen, (293) abschrauben sowie (998) und (906) entfernen. (945) in (998) einführen und (293) wieder anschrauben. (909) von (980) entfernen.
12. (983) und alle anderen Teile wieder einbauen.

## GARANTIEBEDINGUNGEN

Lofrans gewährt auf dieses Produkt eine Garantie von 2 Jahren zu den nachstehenden Bedingungen :

19. Das Produkt muss registriert werden. Die Registrierung muss innerhalb von 30 Tagen ab Kaufdatum durch eine der folgenden Optionen erfolgen : Verbindung mit der Webseite [www.lofrans.com](http://www.lofrans.com) auf der Seite „Produkt registrieren“ herstellen und dort die Anleitungen befolgen oder das der Gebrauchsanleitung beiliegende Registrierformular vollständig ausgefüllt an die Faxnummer 039 2004299 senden.
20. Die Garantiezeit beginnt ab dem Datum des Produktkaufs durch den Originalkäufer. Ist das Produkt die Erstausrüstung eines neuen Bootes, gilt das Kaufdatum des Bootes.
21. Die Garantie deckt ursprünglich vorhandene Material- und Fertigungsmängel.
22. Die Garantie beschränkt sich auf die Reparatur und/oder Auswechslung der ursprünglich mangelhaften Komponenten.
23. Die Garantieklage muss schriftlich erfolgen und per Fax oder E-Mail direkt an Lofrans oder einen seiner Vertragshändler gesendet werden; dabei die Seriennummer des Produktes und die bei der Registrierung des Produktes erhaltene Garantienummer angeben. Lofrans behält sich vor, einen Kaufbeleg des Produktes zu verlangen.
24. Das mangelhafte Teil/Produkt ist an Lofrans oder seinen Vertragshändler einzusenden. Das Verzeichnis der autorisierten Vertragshändler finden Sie auf der Webseite [www.lofrans.com](http://www.lofrans.com).
25. Folgende Mängel sind von der Garantie ausgenommen : Einsatz des Produktes bei Anwendungen, für die es nicht konzipiert wurde; Korrosion; normale Abnutzung; Farbverlust; nicht genehmigte Veränderungen des Produktes; unsachgemäße Installation; falsche Anwendung und Wartung des Produktes; Einsatz des Produktes unter Bedingungen, die die erklärten Leistungen übersteigen.
26. Die vorliegende Garantie deckt keinen Verlust oder Schaden, der dem Käufer aus der nachgewiesenen Nichtkonformität des Produktes entsteht; außer bei Vorsatz oder schwerer Schuld von Lofrans, die mit rechtskräftigem Urteil erklärt wurde.
27. Lofrans behält sich vor, die vorliegende Garantie nicht anzuerkennen, wenn das Produkt durch ungeeignetes elektrisches Zubehör betrieben wurde und/oder bei fehlender Installation eines geeigneten Motorschutzschalters auf der Leistungsleitung.

Diese Garantie lässt die Rechte des Verbrauchers nach der geltenden einheimischen Gesetzgebung, welche den Verkauf von Konsumgütern regelt, unberührt.

Diese Garantie wird durch die italienische Gesetzgebung geregelt.

Für alle Auseinandersetzungen ist der ausschließliche zuständige Gerichtsstand Mailand.

## ANHANG

KETTENUSS-NR.	KETTENART	KETTENART		TAUDURCHMESSER
		DURCHMESSER	ABSTAND	
08102	8 ISO	8 mm	24 mm	16 mm – 5/8"
	8 German Din 766	8 mm	24 mm	16 mm – 5/8"
	5/16" American Acco BBB	5/16"	1,00"	16 mm – 5/8"
	5/16" American G-4 ISO	5/16"	1,03"	16 mm – 5/8"
10103	10 ISO	10 mm	30 mm	18 mm – 3/4"
	3/8" American G-4 ISO	3/8"	1,23"	18 mm – 3/4"
10104	10 German Din 766	10 mm	28 mm	18 mm – 3/4"
12101	12 ISO	12 mm	36 mm	20 mm – 3/4"
	7/16" American G-4 ISO			20 mm – 3/4"

## PRESENTACIÓN DE PROJECT X3

Gracias por haber elegido Lofrans. Project X3 es el nuevo molinete de anclas de Lofrans, proyectado para barcos de 12 a 18 metros de eslora. Las características principales son las siguientes :

- Acabados cromados estándar
- Potencia nominal con parámetro S2 - 11 minutos : 1200W-1500W
- Barbotín sometido a tratamiento de niquelado
- Funcionamiento cabo - cadena con cadena 8-10-12mm-5/16"HT-5/16"BBB-3/8"HT-7/16"HT y cabo diámetro 16-18-20mm-5/8"-3/4"
- Eje motor de acero inoxidable AISI 431
- Cojinete de la base estanco, de acero inoxidable AISI 440
- Campana independiente del barbotín
- Funcionamiento manual en caso de emergencia
- Velocidad de recuperación: de 18 a 24 m/min
- Consumo: de 80-130 A (12V) , de 50-80 A (24V)
- Tensión máxima instantánea: aprox. 1100-1500 kg
- Peso: 32 kg

## INFORMACIÓN SOBRE LA SEGURIDAD

- El molinete de anclas no se ha proyectado para ser utilizado como toma de fuerza a bordo de la embarcación. El cabo o la cadena deben asegurarse a puntos fijos como, por ejemplo, la bita.
- Ayudar al molinete durante la operación de recuperación, dirigiendo la embarcación hacia el punto de anclaje a velocidad mínima.
- Instalar siempre un interruptor salvamotor adecuado para proteger el circuito y el motor eléctrico de recalentamientos y averías.
- Desconectar siempre el molinete cuando no se use; así se evitan accionamientos accidentales.
- Tener siempre las manos, los pies y los dedos lejos del molinete cuando esté funcionando. Si la cadena se bloquea, desactivar el molinete y, con muchísimo cuidado, intentar liberarla.
- No utilizar el molinete de manera diferente o para un uso que no corresponda a lo especificado en el presente manual.

## REQUISITOS MÍNIMOS DE LA INSTALACIÓN ELÉCTRICA

La tabla que aparece a continuación muestra los requisitos de la instalación eléctrica en función de la potencia nominal del motor.

	1200 W 12V	1200 W 24V	1500 W 12V	1500 W 24V
A- Capacidad de la batería	200 Ah	150 Ah	250 Ah	150 Ah
B- Dimensión de los cables de potencia	35 mm <sup>2</sup> - 2 AWG	25 mm <sup>2</sup> - 3 AWG	50 mm <sup>2</sup> - 1 AWG	35 mm <sup>2</sup> - 2 AWG
C- Interruptor magnetotérmico Lofrans	100 A	70 A	125 A	70 A
Fusible	5 A	5 A	5 A	5 A
Dimensión de los hilos de control	1,5 mm <sup>2</sup> - 14 AWG	1,5 mm <sup>2</sup> - 14 AWG	1,5 mm <sup>2</sup> - 14 AWG	1,5 mm <sup>2</sup> - 14 AWG

## NOTAS

J. Las baterías de capacidad inferior perjudican las prestaciones del molinete y se desgastan rápidamente.

K. Esta sección debe aumentarse si la longitud de los cables positivo y negativo supera los 25 m Usar cables de cobre de tipo marino.

L. El interruptor salvamotor Master Winch protege la línea de cortocircuitos y el motor en caso de recalentamiento. Debe instalarse en un lugar accesible para poder reactivarlo rápidamente si salta. También puede utilizarse para aislar el molinete de los mandos; sugerimos hacerlo para evitar accionamientos accidentales.

Todos los mandos deben conectarse en paralelo. Aconsejamos vivamente tener por lo menos dos mandos para accionar el molinete, por si uno se averiase. Todos los accesorios eléctricos Lofrans cuentan con aprobación CE.

## REQUISITOS GENERALES DE LA INSTALACIÓN

Para funcionar correctamente, el molinete debe colocarse de manera que cumpla las siguientes condiciones:

**Fig.1** El barbotín del molinete debe alinearse con la puntera.

**Fig.2** El puente debe estar plano. La estructura del barco debe ser adecuada a la carga izada. Si fuera necesario, reforzar la cubierta con una superficie de apoyo para distribuir el esfuerzo.

**Fig.3** Hay que maximizar la caída de la cadena en la caja porque ésta, al almacenarse, tiende a formar una pirámide que reduce el salto y provoca bloqueos. Se necesita una **A=300** mm, como mínimo, entre la parte por debajo del puente y el vértice del montón de cadena estibada. La forma con que se deposita la cadena es importante para reducir la formación de una pirámide. La cadena que entra por la puntera puede desviarse un ángulo de aprox. 5°.

## INSTALACIÓN

**Fig.4** Colocar con atención en el puente la plantilla para perforar. Marcar y perforar como indica la fig. A. Lijar los cantos vivos de los orificios. La parte del borde del orificio de la cadena que da a proa debe lijarse con un ángulo de 45° (fig. B). Lijar y colocar la junta suministrada en dotación.

**Fig.5** Aflojar las 4 tuercas (227) para separar la parte superior del reductor. Colocar con atención la parte superior sobre la cubierta.

**Fig.6** Unir el reductor a la parte superior, introduciendo la lengüeta (284) del eje motor en el alojamiento del reductor. Alinear el motor lejos del orificio de la cadena.

**Fig.7** Enroscar las arandelas y las tuercas en los otros prisioneros. Apretar todas las tuercas de manera adecuada. Conectar los cables que provienen de la batería al motor eléctrico siguiendo las indicaciones del diagrama eléctrico.

## PRUEBA DE FUNCIONAMIENTO

**¡ATENCIÓN! NO ACCIONAR EL MOLINETE SI LA CADENA O EL CABO NO ESTÁN EN EL BARBOTÍN PARA NO DAÑAR LA PIEZA (998)-FINGER**

**Fig.8** Introducir la cadena en el barbotín. Tener las manos y los pies lejos del barbotín y de la cadena en movimiento.

**Fig.9** Encender el mando. Apretar el botón UP. De esta manera se recupera la cadena. Soltar el botón UP. Apretar el botón DOWN. De esta manera se suelta la cadena. Si el molinete gira en la dirección errónea, invertir los cables UP y DOWN en la caja de mando.

**Fig.10** Después de los primeros anclajes, controlar que las tuercas de sujeción sigan apretadas.

## USO DEL MOLINETE

Las operaciones base que hay que conocer son echar y levar el ancla eléctricamente. Este producto está equipado con embragues cónicos que permiten echar el ancla sin usar el motor eléctrico. Lofrans aconseja vivamente usar el estopor de la cadena con sus molinetes. El estopor es un dispositivo instalado en los barcos para mantener la cadena en su posición en el puente e impedir que se suelte accidentalmente. Debe usarse para asegurar el ancla después del anclaje.

OPERACIÓN	ANTES ...	DESPUÉS ...
1. USO DEL EMBRAGUE EN EL MODELO - LOW PROFILE		Para abrir el embrague, introducir la palanca (272) en el asiento a estrella situado en la rueda que cubre el barbotín (993) y aflojarla. Para cerrar, apretar la rueda que cubre el barbotín hasta que la palanca no pueda moverse. El ancla y la cadena harán de resistencia mientras se aprieta. Al final, apretar la rueda de bloqueo girando en la dirección de la flecha.
2. USO DEL EMBRAGUE EN EL MODELO - ESTÁNDAR		Para abrir el embrague, introducir la palanca (272) en la rueda (912) y aflojarla. Para cerrar el embrague, apretar la rueda hasta que la palanca no pueda moverse.
3. ECHAR EL ANCLA CON EL MOTOR ELÉCTRICO	<ul style="list-style-type: none"> <li>Desactivar el estopor de la cadena</li> <li>Cerrar el embrague</li> <li>Activar el magnetotérmico</li> </ul>	Pulsar el botón DOWN. Calando eléctricamente, se controla perfectamente la maniobra, que puede interrumpirse soltando el botón DOWN.
4. DESPUÉS DEL ANCLAJE	<ul style="list-style-type: none"> <li>Activar el estopor de la cadena</li> <li>Cerrar el embrague</li> <li>Desactivar el magnetotérmico</li> </ul>	Reducir el esfuerzo en el molinete de anclas con el estopor, o bien con un cabo atar la cadena a un punto fijo.
5. LEVAR EL ANCLA	<ul style="list-style-type: none"> <li>Desactivar el estopor de la cadena</li> <li>Cerrar el embrague</li> <li>Activar el magnetotérmico</li> </ul>	Encender el motor de la embarcación. Pulsar el botón UP y, con el barco al mínimo, dirigirse hacia el punto de anclaje. <b>No usar el molinete para remolcar la barca hacia el punto de anclaje.</b> Soltar el botón UP para detener la operación. Prestar la máxima atención a la velocidad del ancla ya que podría dañar la proa de la embarcación. En el caso que el ancla haya encallado y el interruptor salvamotor haya saltado, esperar unos minutos antes de volver a activarlo y repetir la maniobra. Si el interruptor salta de nuevo, aconsejamos maniobrar la embarcación para desencallar el ancla.
6. DURANTE LA NAVEGACIÓN	<ul style="list-style-type: none"> <li>Activar el estopor de la cadena</li> <li>Cerrar el embrague</li> <li>Desactivar el magnetotérmico</li> </ul>	El molinete no debe usarse como principal punto de sujeción del ancla en la puntera. El ancla debe asegurarse para evitar que se suelte accidentalmente. Para ello, usar el estopor.
7. ECHAR EL ANCLA CON EL EMBRAGUE	<ul style="list-style-type: none"> <li>Desactivar el estopor de la cadena</li> <li>Desactivar el magnetotérmico</li> </ul>	Abrir el embrague. La caída de la cadena puede frenarse apretando la rueda con la palanca. Al terminar la operación, cerrar el embrague.
8. USAR LA CAMPANA	<ul style="list-style-type: none"> <li>Activar el estopor de la cadena</li> <li>Activar el magnetotérmico</li> </ul>	Abrir el embrague. Enrollar 2-3 vueltas de cabo, en sentido horario, en la campana, manteniendo tenso el extremo del cabo no utilizado. Pulsar el botón UP, recuperando al mismo tiempo el cabo. Al terminar, cerrar el embrague.
9. FUNCIONAMIENTO MANUAL EN CASO DE EMERGENCIA	<ul style="list-style-type: none"> <li>Desactivar el estopor de la cadena</li> <li>Cerrar el embrague</li> <li>Desactivar el magnetotérmico</li> </ul>	Introducir la palanca en la rueda (912 ó 993) y girar en sentido horario, venciendo la resistencia que ejerce el resorte (541). El esfuerzo será considerable si el fondo es profundo.

## PROGRAMA DE MANTENIMIENTO

A continuación indicamos las operaciones que consideramos esenciales, y la frecuencia con la que deben realizarse, para obtener la mejor eficiencia y prestaciones del molinete.

- Limpiar todas las superficies externas y los recovecos con agua dulce y retirar la capa de sal que se haya formado.
- Engrasar las partes externas que giran. En especial, la rosca del eje motor y los conos del embrague. Controlar la presencia de signos de corrosión y de esfuerzo mecánico.
- Controlar el terminal del motor eléctrico. Controlar la caída de tensión en los terminales.
- Sustituir todas las guarniciones externas. Controlar que el reductor esté lleno con el nivel adecuado de aceite de larga duración SAE 90.
- Retirar el molinete del puente para limpiar la sal que haya debajo de la base y sellar de nuevo.

	FRECUENCIA DE USO ANUAL DEL BARCO			
	MENOS DE 2 MESES	DE 2 A 6 MESES	MÁS DE 6 MESES	CHARTER
CADA 3 MESES			A,B	A,B
CADA 6 MESES		A,B		
CADA 12 MESES	A,B,C	C	C	C,D
DESPUÉS DE 24 MESES		D	D	E
DESPUÉS DE 36 MESES	D,E	E	E	



## DESMONTAJE DEL DISPOSITIVO TENSOR DEL CABO

El dispositivo finger (998) se ha proyectado para funcionar con el cabo cadena. Si se usa sólo cadena, sugerimos retirarlo para evitar el ruido y que se desgaste rápidamente. Se puede llenar el hueco que deja el finger con el tapón (945). Para desmontarlo, hay que seguir 4 pasos:

13. Modelo con perfil bajo: desenroscar el (993). Modelo estándar: desenroscar el (912) y retirar el (991). Quitar el (990, 988) y el (989).
14. Desenroscar los dos (984,907) y extraer el (983).
15. Girar el (983), desenroscar el (293) y retirar el (998) y el (906). Introducir el (945) en el (998) y enroscar otra vez el (293). Retirar el (909) del (980).
16. Volver a montar el (983) y todas las demás piezas.

## GARANTÍA INTERNACIONAL LIMITADA LOFRANS

Lofrans garantiza este producto durante un periodo de 2 años con las condiciones que se enumeran a continuación:

28. El producto debe registrarse. El registro debe producirse en un plazo inferior a 30 días a partir de la fecha de adquisición del producto mediante una de estas opciones: conectarse al sitio [www.lofrans.com](http://www.lofrans.com), ir a la página "Registrar el producto" y seguir las instrucciones o bien enviar la ficha de registro, que encontrará adjunta al manual de instrucciones, debidamente cumplimentada, al número de fax 039 2004299.
29. La garantía inicia en la fecha en la que el cliente original ha adquirido el producto. Si el producto pertenece al primer armamento de una embarcación nueva, da fe la fecha de adquisición de la embarcación.
30. La garantía cubre defectos de material y de elaboración presentes desde el origen.
31. La garantía se limita a la reparación y/o sustitución de los componentes defectuosos desde el origen.
32. Las reclamaciones durante el periodo de garantía deben notificarse por escrito y enviarse por fax o correo electrónico directamente a Lofrans o a un distribuidor autorizado, adjuntando el número de serie del producto y el número de garantía obtenido al registrar el producto. Lofrans se reserva el derecho de solicitar al cliente que pruebe la adquisición del producto.
33. La pieza / producto defectuoso debe enviarse a Lofrans o bien a un distribuidor autorizado. La lista de distribuidores autorizados se encuentra en el sitio [www.lofrans.com](http://www.lofrans.com).
34. La garantía no cubre defectos causados por: el uso del producto en aplicaciones para las que no se haya proyectado, corrosión, desgaste normal, pérdida de color, modificación no autorizada del producto, instalación inadecuada, uso o mantenimiento incorrectos del producto, uso del producto en condiciones que excedan las prestaciones declaradas.
35. La presente garantía no cubre pérdidas o daños que sufra el comprador a causa del producto que se haya demostrado no conforme, salvo en caso de dolo o culpa grave de Lofrans declarado por sentencia en juicio.
36. Lofrans se reserva el derecho de no reconocer la presente garantía cuando el producto se accione con accesorios eléctricos inadecuados y/o si no se ha instalado un interruptor salvamotor adecuado en la línea eléctrica de potencia.

Esta garantía respeta completamente los derechos del consumidor vigentes en la legislación nacional que reglamenta la venta de bienes de consumo.

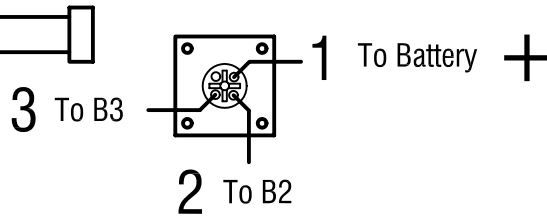
La presente garantía está reglamentada por la ley italiana.

Para cualquier litigio, será competente exclusivamente el Tribunal de Milán.

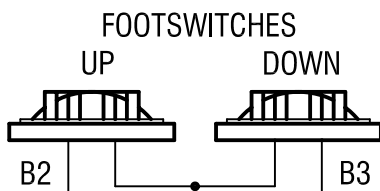
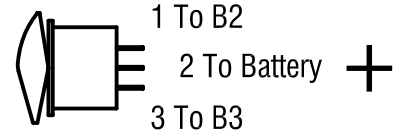
## APÉNDICE

CÓDIGO BARBOTÍN	TIPO DE CADENA	Diagrama de la cadena		DIÁMETRO CABO
		DIÁMETRO	PASO	
08102	8 ISO	8 mm	24 mm	16 mm – 5/8"
	8 German Din 766	8 mm	24 mm	16 mm – 5/8"
	5/16" American Acco BBB	5/16"	1,00"	16 mm – 5/8"
	5/16" American G-4 ISO	5/16"	1,03"	16 mm – 5/8"
10103	10 ISO	10 mm	30 mm	18 mm – 3/4"
	3/8" American G-4 ISO	3/8"	1,23"	18 mm – 3/4"
10104	10 German Din 766	10 mm	28 mm	18 mm – 3/4"
12101	12 ISO	12 mm	36 mm	20 mm – 3/4"
	7/16" American G-4 ISO			20 mm – 3/4"

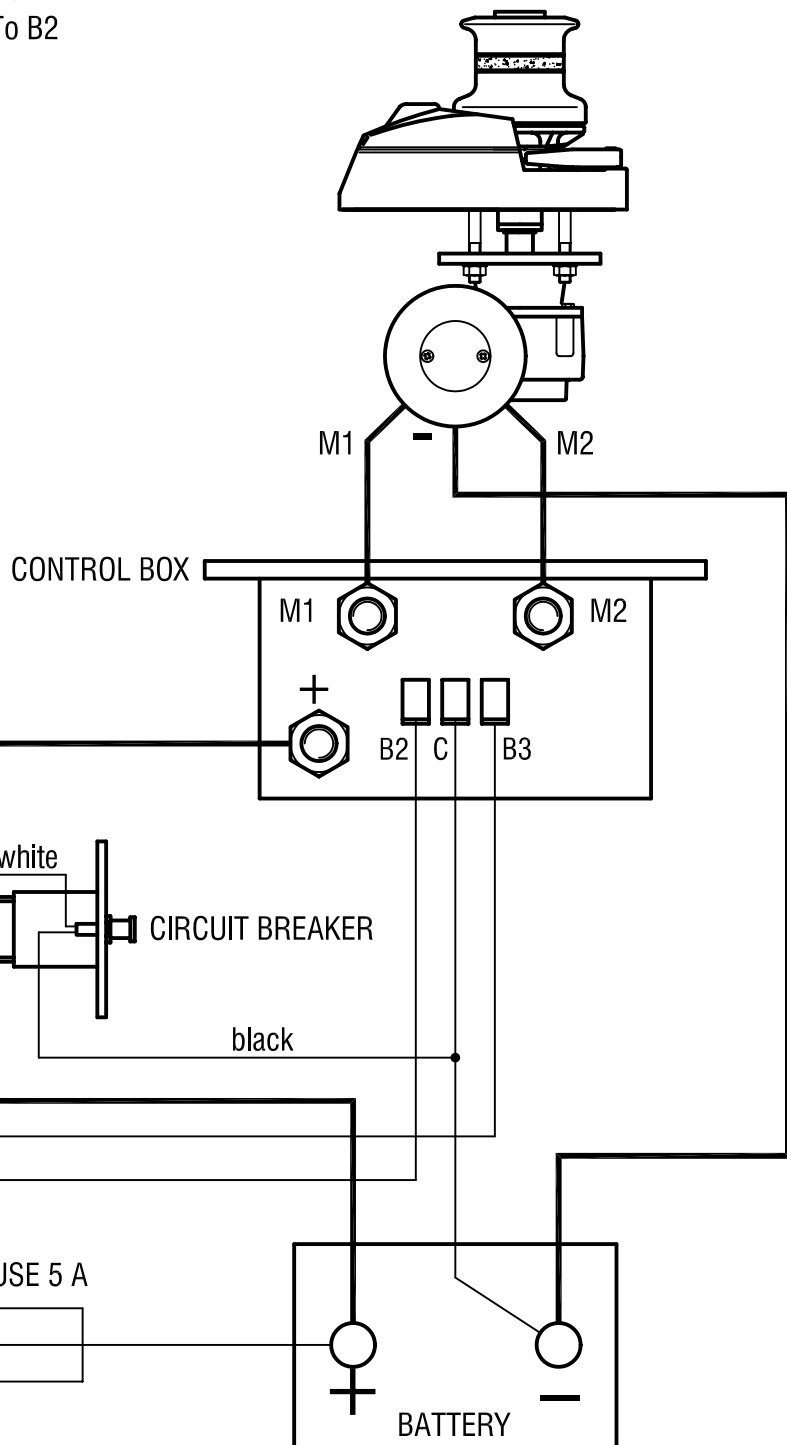
### REMOTE CONTROL MIRA

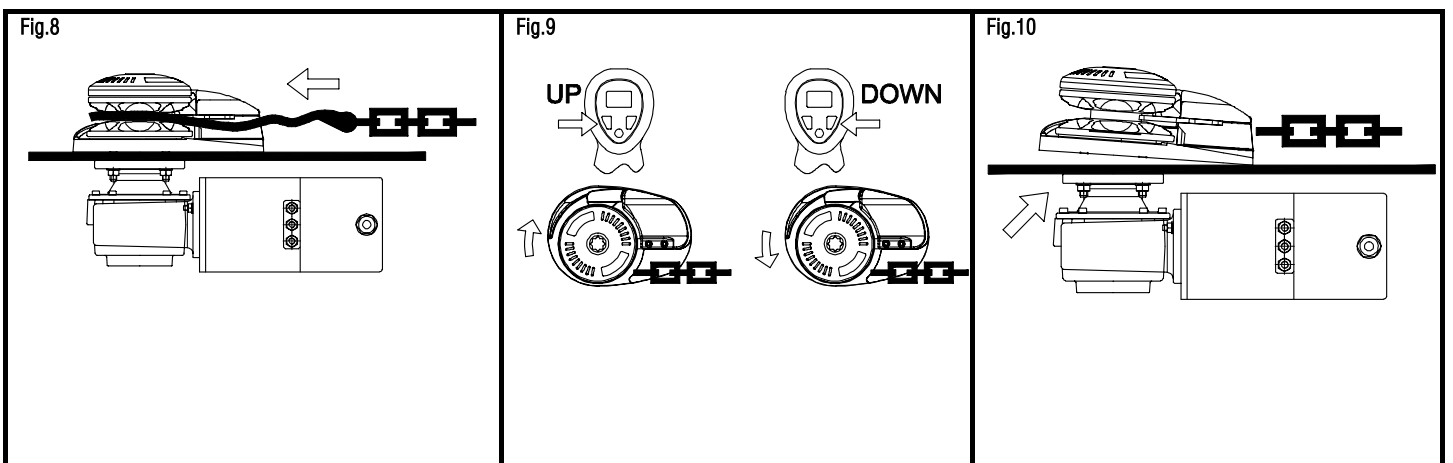
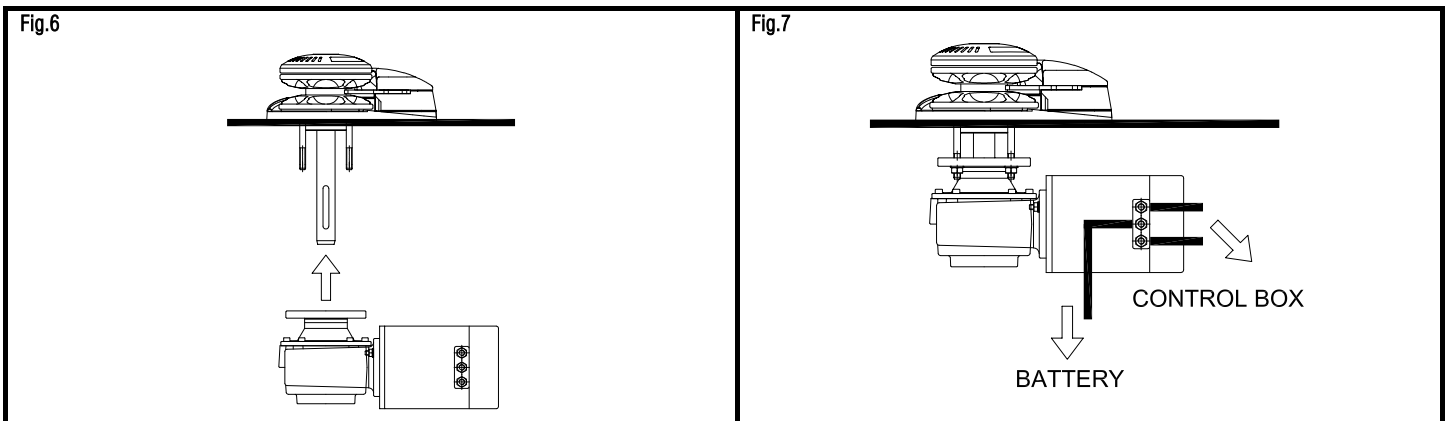
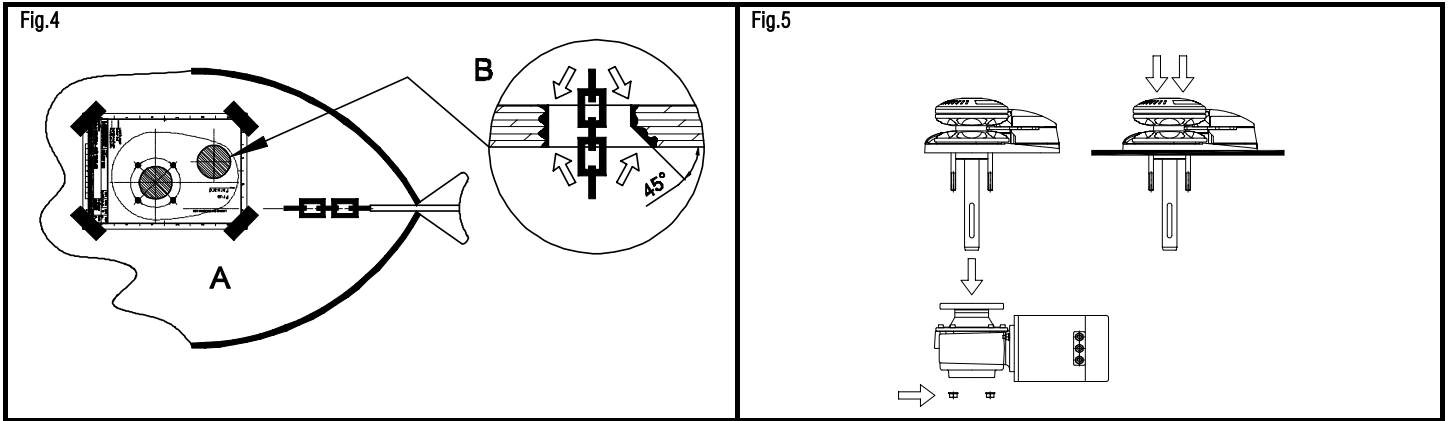
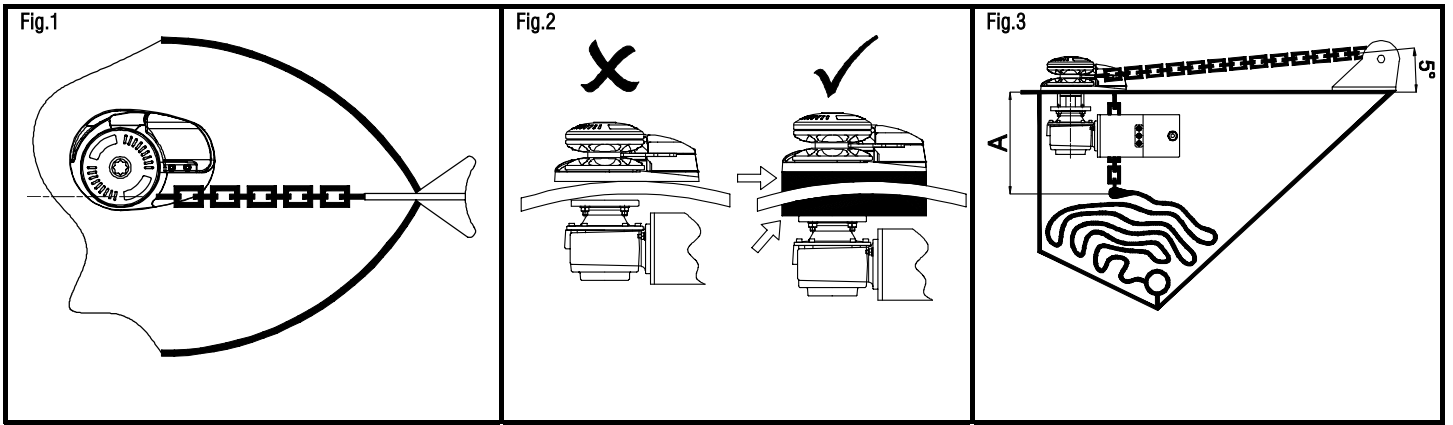


### ROCKER SWITCH TYPE C



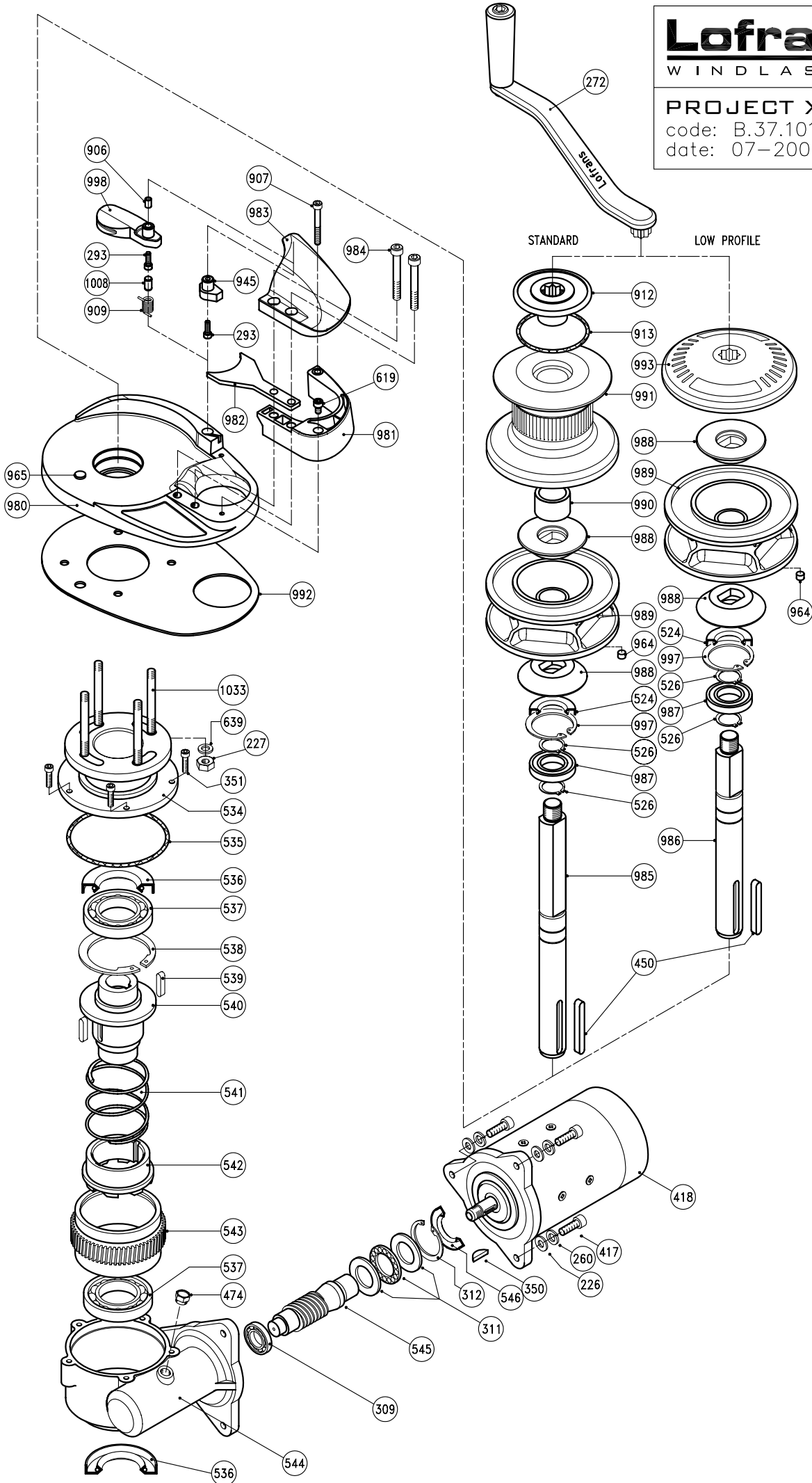
UP DOWN  
B2 B3  
brown red blue





**PROJECT X3**

code: B.37.101 – Rev. A  
date: 07-2006





**LOFRANS' SALES ORGANIZATION**

**ARGENTINA**

DOMINGO P. PEDRONI S.A.I.C.  
9 de Julio 198 - 1646 S. Fernando - Bs.As.

**AUSTRIA**

G.ASCHERL GmbH  
Erlengrund 38 - 6971 Hard  
HARTMANN  
Hafenstrasse 5  
A - 6971 Hard a. Bodensee

**BAHRAIN - ARABIAN GULF**

2000 MARINE STORES  
P.O. Box 26927  
Manama

**BELGIUM**

HUNTER N.V.  
St. Bernardsesteenvweg 858-864  
2660 Hoboken (Antwerpen)

**CANADA**

REKORD MARINE ENTERPRISES Ltd.  
8194 Ontario Street  
Vancouver B.C. V5X 3E3

**CANARY ISLANDS**

NORDEST - Roberto Origgi  
Ap. de Correo 10431  
38080 Santa Cruz de Tenerife

**CARIBBEAN**

BUDGET MARINE N.V.  
P.O. Box 434  
25B Waterfront Road - Cole Bay - St. Maarten

**CROATIA -SLOVENJA**

UNIMAR S.r.l.  
Via Valdirivio 26  
34134 Trieste-Italy

**CYPRUS**

MERCURY DIVERS COMPANY LTD.  
15, Franklin Roosevelt Av. - Orphanides House  
P.O. Box 469 - Limassol

**DENMARK**

PALBY MARINE A/S  
Bommethavevej 41 Sleide  
DK 7100 Vejle

**EGYPT**

MAPSO Marine Propulsion and Supply S.A.E.  
11(A) Mohamed Anis St.  
Zamalek - Cairo

**ENGLAND**

E.C. SMITH & SONS LTD.  
Unit H & J Kingsway - Industrial Estate, Kingsway  
Luton Beds., LU1 1LP

**FINLAND**

OY MARTIM AB  
P.O. Box 46  
00211 Helsinki 21

**FRANCE**

ACCASTILLAGE BERNARD  
880 Avenue Saint Exupéry  
06210 Mandelieu

**AMTOT S.A.**

41, Quai Duguay-Trouin - Boite Postale 106  
35407 Saint-Malo

**ELECTRIC-AUTO-YACHTING S.A.R.L.**

6, Rue de la Paix  
13001 Marseille

**R.E.Y.A.**

144, Avenue de la Roubine  
06150 Cannes-La Bocca

**SEIMI S.A.**

Rue Alain-Colas  
ZIP-Port du Moulin Blanc - Boite Postale 243  
29272 Brest

**VIDAL DIFFUSION MARINE**

Z.I. Toulon EST  
Toulon Cedex 9

**GERMANY**

S.V.B.  
Gelsenkirchener st. 25  
28199 Bremen

**GREECE**

ALEX MARINE  
5 Leocharous Str.  
185 31 Piraeus

**HONG KONG**

ELCO MARINE & ENGINEERING LTD.  
20 Yip Fung Street  
Unit 6, G/F - Lincoln Centre - Fanling  
New Territories HONG KONG

**ISRAEL**

ATLANTIS MARINE LTD  
147 Kikar Atarim  
169 Hayarkon Str. - Tel Aviv 63453

**LEBANON**

MARINE DIFFUSION  
B.P. 8389 Beyrouth

**MALTA**

INTERNATIONAL MARINE CENTRE  
Ta'Xhniex Palace  
Testaferrata Street Msida

**NEW CALEDONIE**

LIMOUSIN MARINE  
70, R.te du Port Despointes-B. P. 701  
Noumea

**NEW ZEALAND**

EUROMARINE  
P.O. BOX 10144  
Dominion Road-Aukland 10

**NETHERLANDS**

VETUS DEN OUDEN N.V.  
Fokkerstrat 571  
3125 Bd Schiedam

**HUNGARY**

MIMOKER Co.  
Orso Utca 3  
H 1026 Budapest

**NORWAY**

TELMO CONTROL A.S.  
Rolf Hofmos GT. 18 - Postboks 2906 Toyen  
0608 OSLO 6

**POLAND**

MAZURIA  
11 214 Galiny 2

**PORTUGAL**

NAUTICOR  
Rua Bartolomeu Dias 172 A/D  
1400 Lisboa

**SINGAPORE**

AMERICAN MARINE (S) PTE LTD.  
No. 26 Jalan Terusan  
Jurong Town Singapore 2261

**SOUTH AFRICA**

MANEX & POWER MARINE (PTY) LTD.  
19 Dorsetshire Street - P.O. Box 182  
7420 Paarden Eiland-Cape Town

**SPAIN**

LA INDUSTRIAL VELERA MARSAL S.A.  
Muntadas 8 y 10  
08014 Barcelona  
IMINASA S.A.

Adva. Zaragoza 73/75

17220 Sant Feliu de Giuxols (Girona)

**SWEDEN**

ITALNORDIC  
Företagsvägen - Box 12  
440 90 Henan

**TAIWAN**

GENCO MARINE LTD.  
Suite 5F 5 169 Min Shen East Road, Sec.5  
P.O. Box 87-908 - Taipei Taiwan 10582

**TURKEY**

CARKCI DENIZCILIK San.Ye.Tic.Ltd. Sti.  
Özek ski tersalener yolu nuh sanayi sitesi 36  
Icmeler Tusla - Istanbul

**U.S.A.**

IMTRA CORPORATION  
30 Samuel Barnet Blvd - New Bedford Industrial Park  
New Bedford Massachusetts 02745

LOFRANS IS NOT IN ANY WAY BE RESPONSIBLE FOR SELECTION OF A WINDLASS BY OTHERS.