

# **MASTERVOLT**

USERS MANUAL / GEBRUIKERSHANDLEIDING  
BETRIEBSANLEITUNG / MANUEL D'UTILISATION  
MANUAL DE UTILIZACION / INSTRUZIONI PER L'USO

## **Digital AC 1x6A**

AC relay for digital switching



MASTERVOLT  
Snijdersbergweg 93,  
1105 AN Amsterdam  
The Netherlands  
Tel.: +31-20-3422100  
Fax.: +31-20-6971006  
[www.Mastervolt.com](http://www.Mastervolt.com)

|             |           |
|-------------|-----------|
| ENGLISH:    | PAGE 1    |
| NEDERLANDS: | PAGINA 5  |
| DEUTSCH:    | SEITE 9   |
| FRANÇAIS:   | PAGINA 13 |
| CASTELLANO: | PÁGINA 17 |
| ITALIANO:   | PÁGINA 21 |

Copyright © 2009 Mastervolt v 2.1 April 2009

# 1 GENERAL INFORMATION

## 1.1 Use of this manual

Copyright © 2009 Mastervolt. All rights reserved.  
 Reproduction, transfer, distribution or storage of part or all of the contents in this document in any form without the prior written permission of Mastervolt is prohibited.

This manual serves as a guideline for the safe and effective operation of the Digital AC 1x6A.

Keep this manual at a secure place!

## 1.2 Guarantee specifications

Mastervolt guarantees that this product was built according to the legally applicable standards and stipulations. If you fail to act in accordance with the regulations, instructions and stipulations in this user's manual, damage can occur and/or the product will not fulfil the specifications. This may mean that the guarantee will become null and void.

**IMPORTANT:** Additional warranty agreements, like "Mastervolt system warranty" may contain restrictions which forbid resetting of historical data. The standard guarantee period is two years after date of purchase.

## 1.3 Liability

Mastervolt can accept no liability for:

- consequential damage due to use of the Digital AC 1x6A;
- possible errors in the manuals and their results;
- Use that is inconsistent with the purpose of the product.



**CAUTION!**

Never remove the identification label.

# 2 OPERATION

## 2.1 MasterBus functions

The Digital AC 1x6A operation is entirely MasterBus based. See [www.mastervolt.com](http://www.mastervolt.com) for information

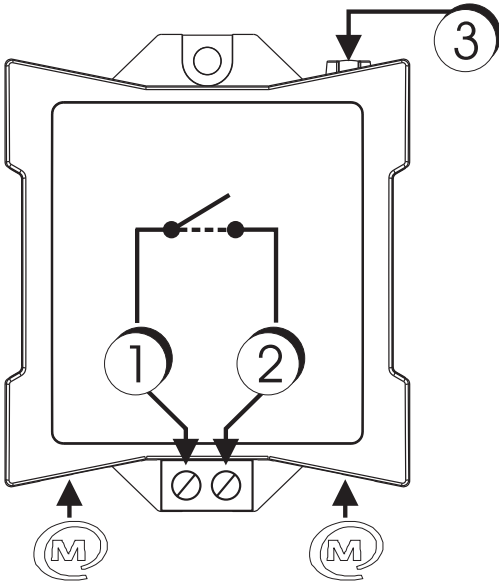
about MasterBus and the MasterBus event structure. The table below shows the relay functions.

| Monitoring                   | Description   | Default     | Range              |
|------------------------------|---|-------------|--------------------|
| State                        | Relay can be switched On (activate) or Standby  | Standby     | Standby/ Activate  |
| Control                      | Change the state of the relay   | Standby     | Activate/ Standby  |
| <b>Configuration General</b> |   |             |                    |
| Language                     | Set the MasterBus Digital AC menu language  | English     | See specifications |
| Device name                  | Any name you wish with 12 characters max  | AC Relay    | 12 characters max  |
| Events locked                | Check box for installers to lock event configuration. Only operable by installers.  | Unchecked   | Unchecked/ Checked |
| <b>Configuration Timing</b>  |   |             |                    |
| Min. runtime                 | Check box to enable the function <i>Minimum runtime</i> for switching the relay.  | Unchecked   | Unchecked/ Checked |
| Min. runtime                 | Minimum runtime setting   | 15 minutes  | 1-65535 minutes    |
| Max. runtime                 | Check box to enable the function <i>Maximum runtime</i> for relay switching the relay.  | Unchecked   | Unchecked/ Checked |
| Max. runtime                 | Maximum runtime setting   | 480 minutes | 1-65535 minutes    |
| <b>Event commands</b>        |   |             |                    |
| Activate                     | The Digital AC 1x6A can be switched On (activate) or Standby.   | -           | -                  |
| MPC stop                     | MPC (Maximum Power Control) prevents a power source from being overloaded. At <i>MPC stop</i> the AC 1x6A disconnects the load. | -           | -                  |
| MPC reduce                   | At the end of <i>MPC reduce</i> the AC 1x6A reconnects the load.  | -           | -                  |

## 3 INSTALLATION


### 3.1 Overview

Insert the MasterBus cables, then connect the relay cables to the screw terminal input and output, see below.



Functional scheme of the Digital AC 1x6A

1. Input
2. Output (normally open)
3. Communication LED, illuminating when the state is "activate"

 MasterBus connector

Function:

Standby: Relay is open,

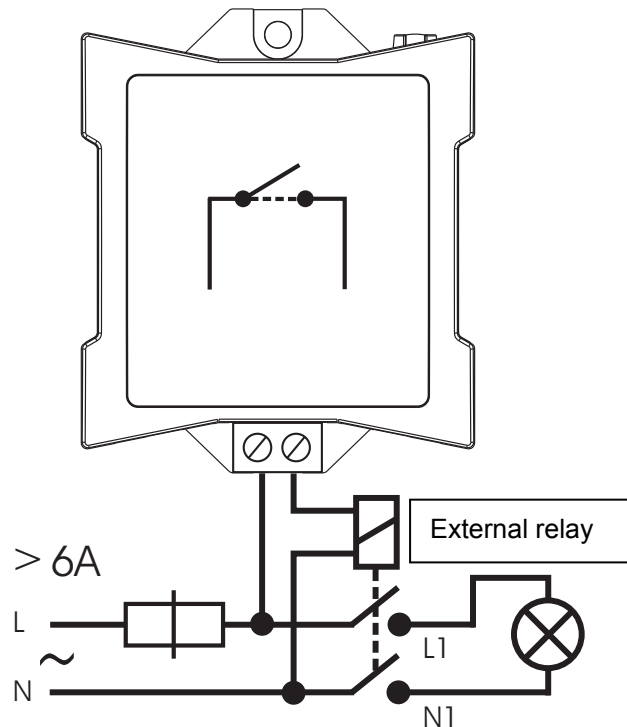
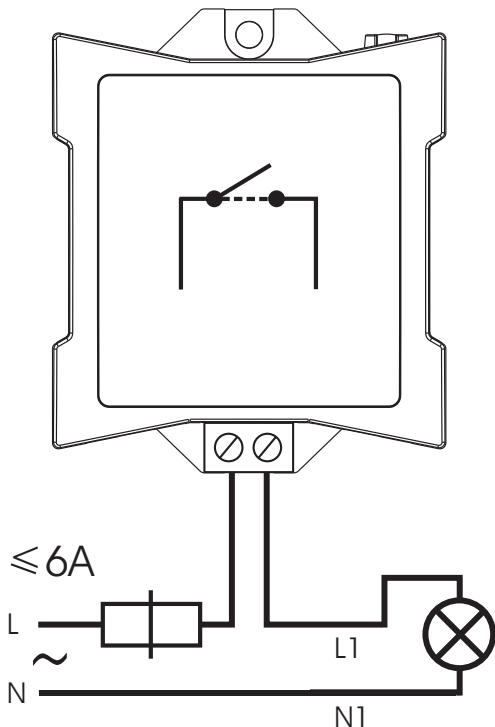
Activate: 1 is connected to 2,

Maximum relay current: 6A.

### 3.2 Installation schemes

The Digital AC 1x6A is suitable for switching currents up to 6A. For currents above 6A you need an external relay which is controlled by the AC 1x6A.

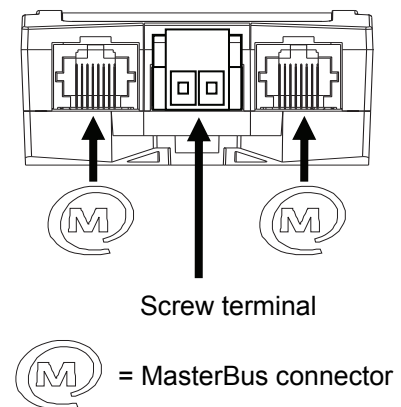
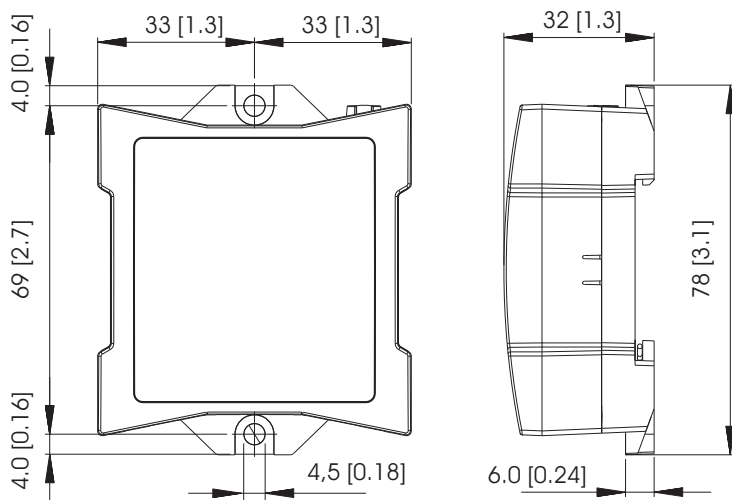
You also need to add a fuse like shown for load protection.



Installation schemes for currents up to 6A and above

## 4 SPECIFICATIONS

|                         |  |
|-------------------------|--|
| Model:                  | Digital AC 1x6A  |
| Article number:         | 77031500   |
| Delivery also includes: | Screw terminal, MasterBus cable, MasterBus Terminating device, User's manual               |
| Function of instrument: | MasterBus controlled AC relay  |
| Potential free contact: | 1:C, 2:NO – 6A / 230 V AC  |
| Languages available:    | English, Nederlands, Deutsch, Français, Castellano, Italiano, Norsk, Svenska, Suomi, Dansk |
| Power consumption:      | 132 mW   |
| MasterBus Powering:     | No   |
| Din rail mounting:      | Yes, Din rail 30 mm [1.2 inch]   |
| Protection degree:      | IP 21  |
| Dimensions:             | 66 x 78 x 32 mm [2.6 x 3.1 x 1.3 inch]; see drawing below                                  |
| Weight:                 | Approx. 80 gr [0.18 lb]  |



*Dimensions in mm (inch) and connections*

## 5 EC DECLARATION OF CONFORMITY

This product is in conformity with the provision of the EC EMC directive 89/336/EEC and amendments 92/31/EEC, 93/68/EEC. Standards applied:  
Generic emission standard: EN 50081-1:1992,  
Generic Immunity standard: EN 50082-1:1997,  
Safety directive 2006/95/EC, with the following standard,  
Low voltage standard: EN 60950: 2000.



Snijdersbergweg 93, 1105 AN Amsterdam, The Netherlands  
Tel : + 31-20-3422100  
Fax : + 31-20-6971006  
Email : [info@mastervolt.com](mailto:info@mastervolt.com)