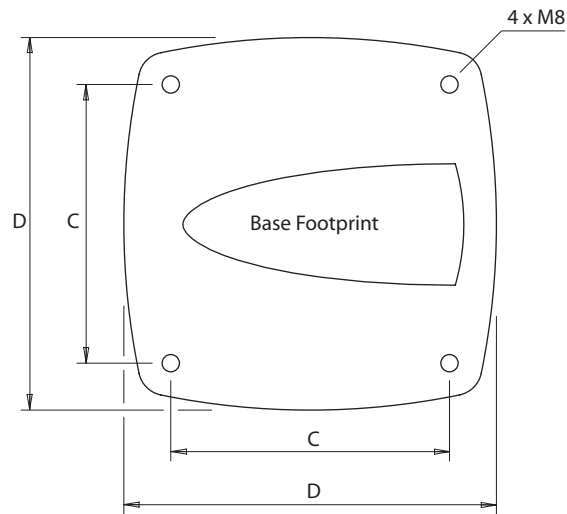
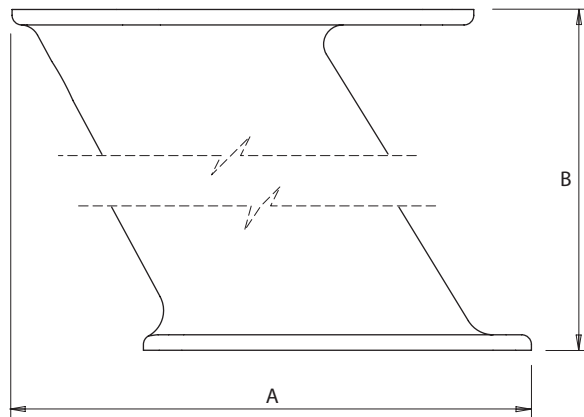


Composite PowerTower®

For help & information
 email: technical@scanstrut.com
 tel: +44 (0) 1803 863800



	A mm / inches	B mm / inches	C mm / inches	D mm / inches
PT2001	388/15.3	358/14.1	150/5.9	200/7.9
PT2002	388/15.3	358/14.1	150/5.9	200/7.9
PT2003	152/6	358/14.1	150/5.9	200/7.9
PT2004	268/10.5	158/6.2	150/5.9	200/7.9
PT2005	278/11	158/6.2	150/5.9	200/7.9
PT2006	288/11.3	158/6.2	150/5.9	200/7.9

All Composite PT's are 30° aft leaning



SCANSTRUT®
 INSTALLATION SOLUTIONS FOR MARINE ELECTRONICS™