



WamBlee

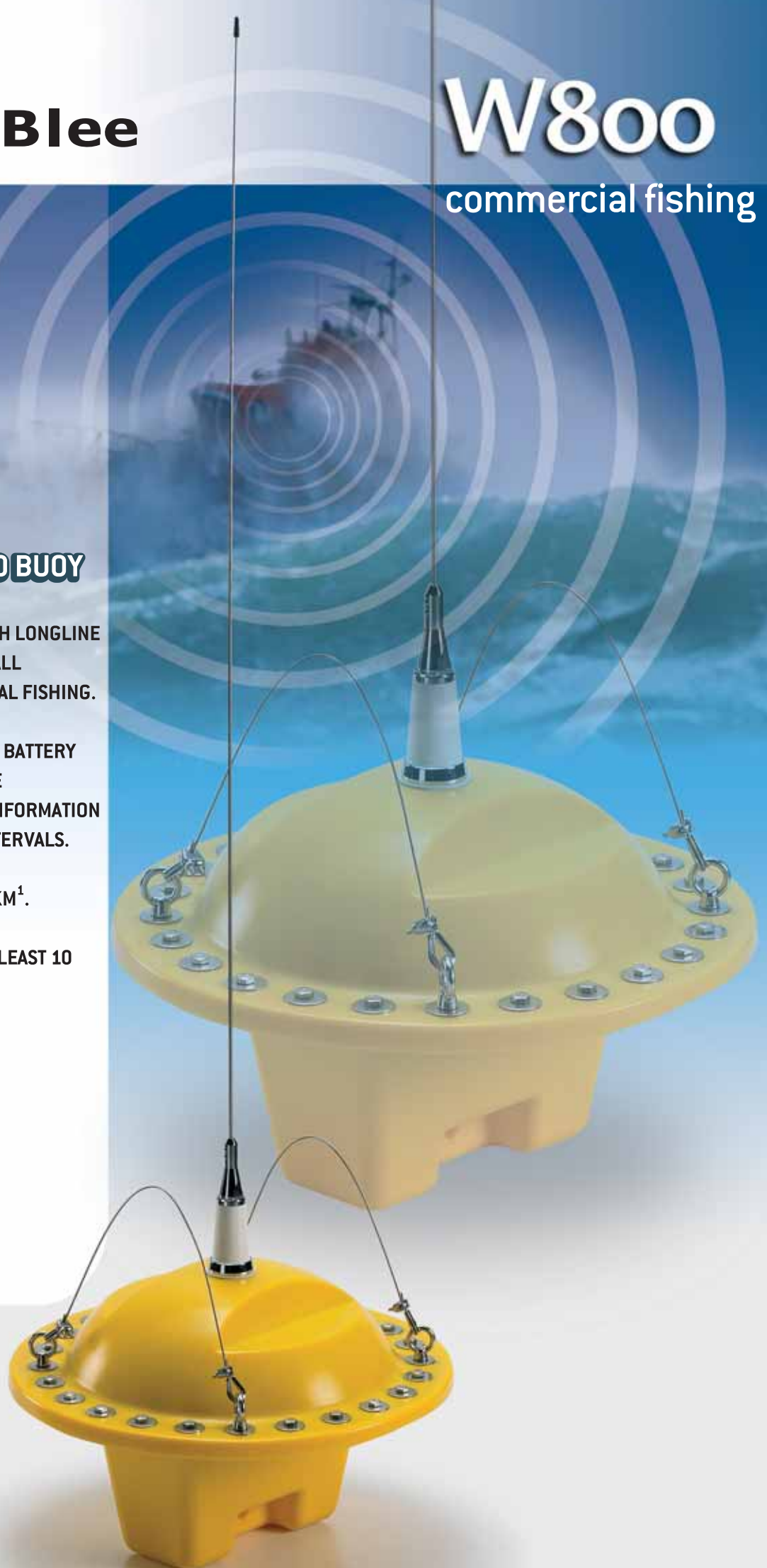
Committed to Excellence

W800

commercial fishing

LONGLINE HF RADIO BUOY

- DESIGNED FOR SYSTEMS WITH LONGLINE OR SEALINE, SUITABLE FOR ALL APPLICATIONS IN COMMERCIAL FISHING.
- TRANSMISSION OF POSITION, BATTERY CHARGE STATE, SEA SURFACE TEMPERATURE AND OTHER INFORMATION AT PROGRAMMABLE TIME INTERVALS.
- ESTIMATE COVERAGE AT 80 KM¹.
- CONTINUOUS OPERATION AT LEAST 10 DAYS.



W800 is a radio beacon active in the HF band to signal fishing systems lost or abandoned in the sea, e.g. longline or sealine fishing systems.

By sending out a message at (programmable) time intervals, it is possible to determine, via a special on-board W830 reception system, the position of longlines, any unexpected drifting due to line breaking and estimated time of arrival.

Information is transmitted in an encrypted format and can only be decrypted by the radio beacon owner, and transmission times are also suitably optimised to prevent illegal interception.

The high-capacity battery pack and consumption optimisation efforts ensure a prolonged working time - with the W800 radio beacon able to operate for up to 10 days (according to message transmission time intervals).

Once it has been removed from its battery charger (model W840), the W800 radio beacon is activated by contact with water and will remain active until it is recovered.

A special through-hole provided in the bottom part of the beacon facilitates connection and removal from the longline.

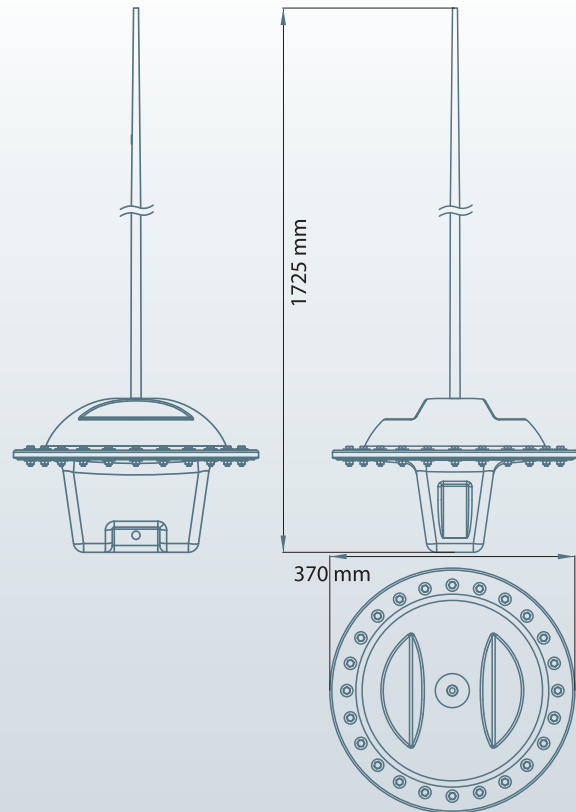
Any information received from the W800 radio beacon is available through the W830 reception system which, with the support of navigation maps, provides a general overview of the longlines*.

*For the integration of the data received by the system W800 and W830 with your mapping system, we suggest you contact our local distributor or our technical department.

TECHNICAL SPECIFICATIONS

- Longline HF radio buoy.
- Frequency: 27 Mhz.
- RF power: 4 Watt typ.
- Estimate coverage: about 80 Km¹.
- Modulation: AFSK.
- Transmission rate: programmable, minimum every 15 minutes, maximum every 6 hours.
- Synchronization: via GPS timer.
- GNSS: low power GPS 66 channels.
- Information provided: time, position, battery status, surface temperature (if installed), speed, estimated course.
- Working temperature: from -10°C to + 55°C (surface temperature, sea not frozen).
- Storage temperature: from -30°C to + 70°C.
- Operating life with fully charged battery: from 4 to 10 days, depending on the rate of transmission and the operating temperature.
- Battery: NiMh, rechargeable (battery charger W840).
- Dimensions: 360 x 270 mm, with stylus antenna up to 1725 mm.
- Weight: 5.8 Kg.
- European Standards: Directive 99/05 (R&TTE), EN 300 489-13, EN 300 135-1, EN 300 135-2, EN61108 part 1,2 and 4.
- Warranty: 2 years.

Order Code	Description	Packing Quantity
P20021	W800 HF radio buoy	1



¹. The distance is estimated using the document ITU-R P.368-9 and the software GRWAVE issued by ITU for the determination of the attenuation of the propagation of the ground wave, whereas the surface of the sea with average salinity.



WamBlee
Committed to Excellence

WamBlee s.r.l. - via Vittori, 19 - 48018 Faenza - tel. e fax +39 0546 623891
e-mail: info@wamblee.it - www.wamblee.it

