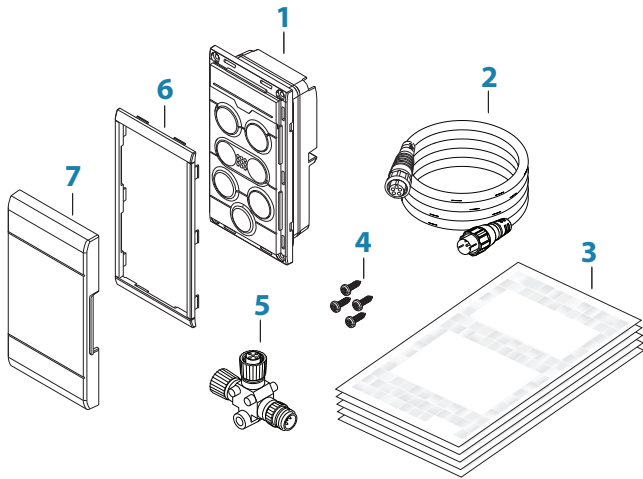


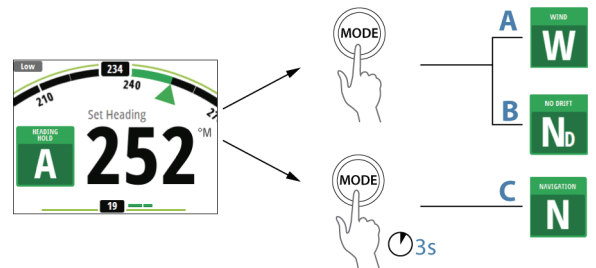
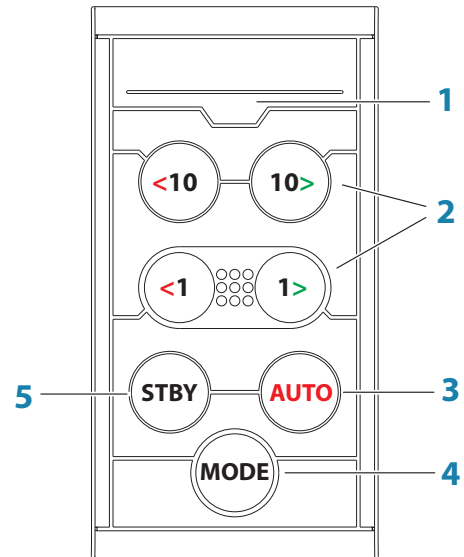


## Box content



1	Triton <sup>2</sup> Pilot controller
2	Micro-C Drop cable 0.6 m/2 ft
3	Documentation pack
4	Mounting screws (4 x #4 x 3/8" PN HD SS screws)
5	Micro-C T-connector
6	Bezel
7	Sun cover

## Operation



## Operation

1	<p><b>LED</b></p> <p>Mode and alarm indicator:</p> <ul style="list-style-type: none"> <li>AUTO mode: solid light</li> <li>Wind mode: flashing (80% on, 20% off)</li> <li>NAV mode; flashing (40% on, 60% off)</li> <li>Alarm on the network: rapid flashing</li> </ul> <p>Green in Day mode and red in Night mode.</p> <p>→ <b>Note:</b> No LED indication for NoDrift and Non-Follow modes.</p>
2	<p><b>Port and starboard keys</b></p> <p>In Standby mode: press to activate Non Follow Up mode (NFU)</p> <p>In AUTO mode:</p> <ul style="list-style-type: none"> <li>Press a key to change set heading 1° or 10° to port or starboard</li> <li>For boat types set to SAIL: press and hold both port keys or both starboard keys to start a tack/gybe</li> </ul> <p>In NoDrift mode:</p> <ul style="list-style-type: none"> <li>Press a key to change set heading 1° or 10° to port or starboard</li> </ul> <p>In Wind mode:</p> <ul style="list-style-type: none"> <li>Press to change set wind angle 1° or 10° to port or starboard</li> <li>Press both 1° keys to start a tack/gybe</li> </ul>
3	<p><b>AUTO key</b></p> <p>Press to activate AUTO mode.</p>

4	<p><b>MODE key</b></p> <p>→ <b>Note:</b> Only used when the autopilot is in AUTO or NoDrift mode.</p> <p>Press once to select mode:</p> <ul style="list-style-type: none"> <li>For boat type set to SAIL: activates Wind mode (<b>A</b>)</li> <li>For other boat type settings: activates NoDrift mode (<b>B</b>)</li> </ul> <p>Press and hold to activate NAV mode (<b>C</b>)</p>
5	<p><b>STBY key</b></p> <p>Press to activate Standby mode.</p>