

FURUNO®

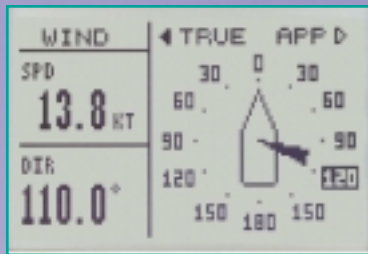
Navigational data organizer

REMOTE DISPLAY UNIT

Model RD-30



Speedometer



Anemometer



- Organizes operation of GPS, VideoPlotter, radar, echo sounder, etc. for user's preference
- NMEA 0183 or IEC 61162-1 digital interface
- Positive display of own ship position, speed, course, water temperature, depth, speed and direction of current and wind
- AIRMAR Smart Sensor™ providing water temperature, water depth and speed relative to water
- Audible alarms for course error, ship speed, cross track error, temperature, depth, arrival
- High contrast 4.5" Silver Bright LCD display, night and day light viewable

The RD-30 is a navigational data organizer that allows the operator to select the preferred display from interfaced equipment such as GPS, VideoPlotter, Radar and echo sounder, autopilot and various sensors for water temperature, tide and wind.

The compact, high contrast Silver Bright 4.5" LCD may be installed in a limited space, remote from its source.

Five display modes are available including Speedometer, Highway and Text. The text mode presents up to four of the most necessary types of data. The display layout can be customized for your specific needs.

AIRMAR Smart Sensor™ is available. It contains the functionality of measuring water temperature, water depth, speed relative to water, and NMEA interface all in one and is connected to the RD-30 with a single cable.



The future today with FURUNO's electronics technology.

FURUNO ELECTRIC CO., LTD.

9-52 Ashihara-cho, Nishinomiya City, Japan Phone: +81 (0)798 65-2111

Fax: +81 (0)798 65-4200, 66-4622 URL: www.furuno.co.jp

offered by Busse-Yachtshop.com

Catalogue No. N-845c

TRADE MARK REGISTERED
MARCA REGISTRADA

SPECIFICATIONS OF RD-30

1. Display Unit

4.5-inch LCD (8 gray tones)
120 (V) x 64 (H) pixels

2. Display Mode

Highway, Graphical, Speedometer, Text mode, Anemometer

3. Alarm

Water temp, Depth, Speed, Time, Anchor watch, Distance run, Cross track error

4. Correction

Manual correction for Water temp, Depth, Speed, Wind

5. Interface Input/Output (NMEA 0183)

BWR, CUR, DBK, DBS, DBT, GGA, GLC, GLL, GTD, HDG, HDT, HDM, MDA, MTW, MWV, RMB, RMC, ROT, VBW, VDR, VTG, VHW, VWT, VWR, ZDA

6. Power supply

12-24 VDC, 1.5 W

EQUIPMENT LIST

Standard

- | | |
|--|--------|
| 1. Display Unit RD-30 | 1 unit |
| 2. Standard Spare Parts and Installation Materials | 1 set |

Optional

- Flush mount kit for display
S type (OP20-17), F type (OP20-18/29)
- Extension Cable for sensor
MJ-A7SPF/SRMD-100

ENVIRONMENT

Climatic and EMC: IEC 60945

Waterproofing

IPX5 (IEC 60529), CFR-46 (USCG)

Lineup of AIRMAR Smart Sensor™

Type	Remarks
235DT-MSE	Depth & Temperature Sensor
235DT-PSE	Depth & Temperature Sensor
235DST-PWE	Depth, Speed and Temperature Sensor
235DHT-LMSE	Depth & High Precision Temperature Sensor
235DHT-MSE	Depth & High Precision Temperature Sensor

Smart Sensor™ is a trade mark of AIRMAR, registered in U.S. and other country.

FURUNO U.S.A., INC.
Camas, Washington, U.S.A.
Phone: +1 360-834-9300 Telefax: +1 360-834-9400

FURUNO (UK) LIMITED
Denmead, Hampshire, U.K.
Phone: +44 2392-230303 Telefax: +44 2392-230101

FURUNO FRANCE S.A.
Bordeaux-Mérignac, France
Phone: +33 5 56 13 48 00 Telefax: +33 5 56 13 48 01

FURUNO ESPANA S.A.
Madrid, Spain
Phone: +34 91-725-90-88 Telefax: +34 91-725-98-97

FURUNO DANMARK AS
Hvidovre, Denmark
Phone: +45 36 77 45 00 Telefax: +45 36 77 45 01

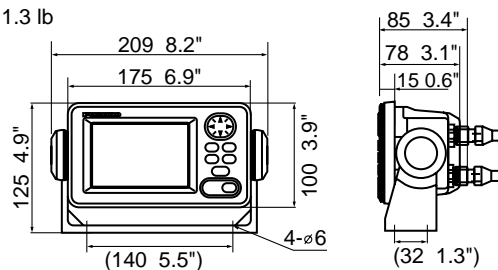
FURUNO NORGE A/S
Ålesund, Norway
Phone: +47 70 102950 Telefax: +47 70 127021

FURUNO SVERIGE AB
Västra Frölunda, Sweden
Phone: +46 31-7098940 Telefax: +46 31-497093

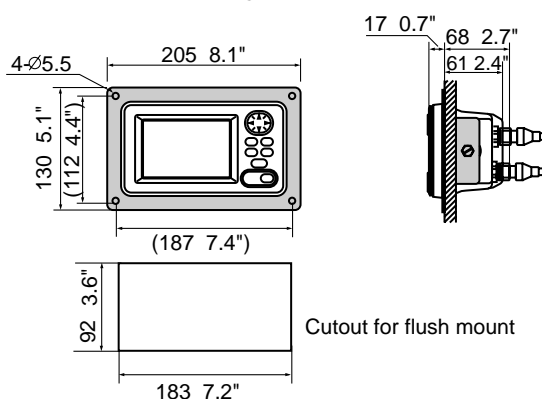
FURUNO SUOMI OY
Helsinki, Finland
Phone: +358 9 341 7570 Telefax: +358 9 341 75716

Display Unit

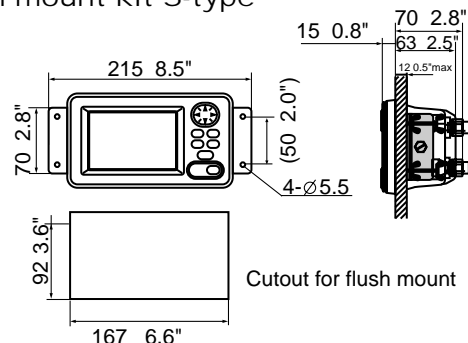
0.6 kg 1.3 lb



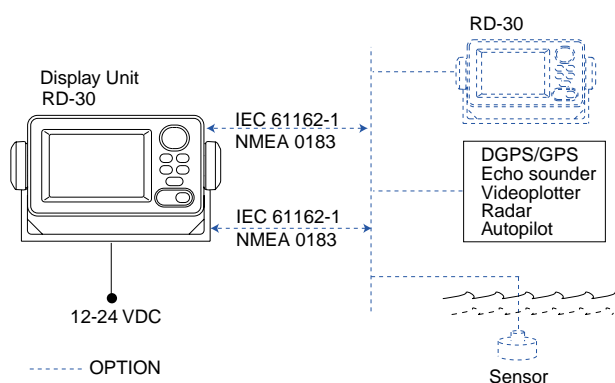
Flush mount kit F-type



Flush mount kit S-type



Interconnection Diagram



SPECIFICATIONS SUBJECT TO CHANGE WITHOUT NOTICE

03065SS Printed in Japan