

MARINE UNI-Dock MS-UNIDOCK

THE MARINE UNI-Dock IS COMPATIBLE WITH THE FOLLOWING FUSION MARINE STEREOs: MS-AV700, MS-AV700i, MS-IP700i AND MS-RA205

The UNI-Dock is designed to offer water resistant security and charging for your smartphone. Engineered to cater to the smallest and some of the largest smartphones/media players on the market. Included are 3 adaptor cables which support Apple 30-pin connector iPhones and iPods, Lightning connector iPhones and iPods as well as Android devices supporting Media Transfer Protocol (MTP) with Micro-USB connectors.

USB FLASH drives may be connected directly to the internal USB port. Devices must be formatted as FAT32 or NTFS to ensure playback of your music files.

DEVICE ADAPTOR CABLES

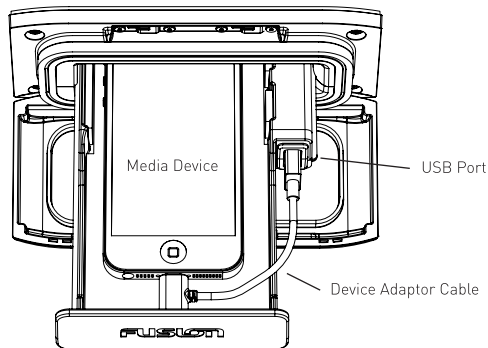
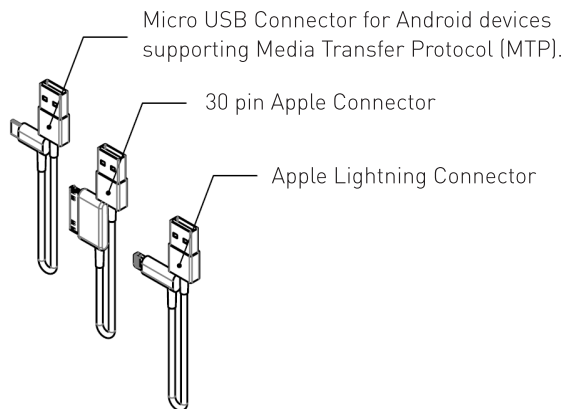


fig 1

RECORD YOUR PURCHASE DETAILS HERE:

(or register online at www.fusionelectronics.com)

SERIAL NUMBER

DATE OF PURCHASE

AFFIX RECEIPT HERE

CONTENT OF BOX

UNI-Dock with 2 metre (6 1/2 ft) USB ext. Cable
 USB Type-A to Micro-USB lead
 USB Type-A to Apple 30-pin
 USB Type-A to Apple Lightning
 Mounting kit (screws, gasket)
 Quick Start Guide
 Mounting Template
 Warranty

MEDIA DEVICES SUPPORTED

A range of iPhones, iPods and Android devices are supported. Please refer to www.fusionelectronics.com for information regarding media device compatibility.

SOFTWARE UPGRADE

Your FUSION stereo may require a software upgrade to support MTP playback functionality. Refer to www.fusionelectronics.com for software version requirements.

IMPORTANT NOTE

ONLY PHONES AND DEVICES THAT FEATURE BOTTOM MOUNTED CONNECTORS ARE SUPPORTED. DEVICES WITH SIDE CONNECTORS ARE NOT SUPPORTED.

MEDIA DEVICE SIZE LIMITS

| | L (mm/ inches) | W (mm/ inches) | H (mm/ inches) |
|---------------------|---------------------|-------------------|-------------------|
| Maximum Device Size | 141 mm, 5 -9/16" | 71 mm, 2 -3/4" | 13 mm, 1/2 " |

INSTALLATION

BULKHEAD MOUNT

Cut mounting hole as per supplied template.
 Fit mounting gasket.
 Attach the UNI-Dock to the bulkhead using the screws provided.
 Connect the UNI-Dock to the USB connector on the FUSION Stereo.

Important Note: The UNI-Dock requires a minimum mounting depth of 155 mm (6 1/8") behind the mounting panel.

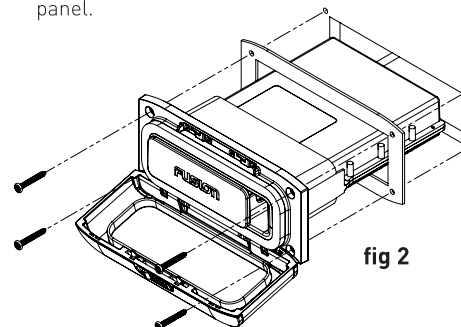


fig 2