



## Class B Compact Drive Unit Installation Instructions

To obtain the best performance and to avoid damage to your boat, install this drive unit according to these instructions. Professional installation of the drive unit is highly recommended, because specific knowledge of rudder operation is required to properly install the drive unit. Read all installation instructions before proceeding with the installation. If you experience difficulty during the installation, contact Garmin® Product Support.

### Important Safety Information

#### WARNING

You are responsible for the safe and prudent operation of your vessel. The autopilot is a tool that will enhance your capability to operate your boat. It does not relieve you from the responsibility of safely operating your boat. Avoid navigational hazards and never leave the helm unattended.

See the *Important Safety and Product Information* guide in the product box for product warnings and other important information.

#### CAUTION

When in use, beware of hot motor and solenoid components and the risk of entrapment from moving parts.

Always wear safety goggles, ear protection, and a dust mask when drilling, cutting, or sanding.

#### NOTICE

To avoid damage to your boat, the autopilot system should be installed by a qualified marine installer. Specific knowledge of hydraulic steering componentry and marine electrical systems is required for proper installation.

The drive unit movement must be limited by physical end stops. Failure to install end stops will cause the drive unit to act as a travel limiter and will damage the drive unit.

When drilling or cutting, always check what is on the opposite side of the surface.

### Registering Your Device

Help us better support you by completing our online registration today.

- Go to <http://my.garmin.com>.
- Keep the original sales receipt, or a photocopy, in a safe place.

### Contacting Garmin Product Support

- Go to [www.garmin.com/support](http://www.garmin.com/support) and click **Contact Support** for in-country support information.
- In the USA, call (913) 397.8200 or (800) 800.1020.
- In the UK, call 0808 2380000.
- In Europe, call +44 (0) 870.8501241.

### Tools Needed

- Tiller arm (if needed)
- End stops to limit rudder travel (if not already present on the boat)
- Safety glasses
- Drill and drill bits

- Wrenches
- Torque wrench
- Loctite® 638™ retaining compound or equivalent (recommended)
- Hex or allen wrenches (for removing the device from the base for maintenance or repair)

### Mounting Location Considerations

#### NOTICE

This device should be mounted in a location that is not exposed to extreme temperatures or conditions. The temperature range for this device is listed in the product specifications. Extended exposure to temperatures exceeding the specified temperature range, in storage or operating conditions, may cause device failure. Extreme-temperature-induced damage and related consequences are not covered by the warranty.

When selecting a mounting location, observe these considerations.

- The drive unit must be installed under deck, in a location not subject to flooding or washdown.
- The drive unit must be mounted securely on a surface that is able to withstand the high thrusts generated by the rudder.
- The drive unit must be installed within specific extension and angle limitations, as defined in the specifications at the end of these instructions.
- The drive unit movement must be limited by physical stops, and not by the length of the drive unit rod, or damage to the drive unit will occur.
- No part of the drive unit or rod should contact the vessel, quadrant, or tiller arm throughout the full range of movement.
- The 10° tilt at the extremes of the stroke must not be exceeded, or damage to the drive unit will occur.

### Tiller Arm and End Stop Considerations

You can connect the drive unit to either an existing quadrant or to a tiller arm (not included). If you do not have a quadrant or cannot install the drive unit at your quadrant location, choose a tiller arm that fits the diameter of your rudder post and is the correct length for the installation location.

The supplied tiller bolt is suitable for a quadrant or tiller arm thickness of 12 mm (0.47 in.) to 16 mm (0.63 in.).

The drive unit must not act as a rudder-movement limiter. Physical end stops (not included) must be in place to limit the drive-unit travel to 254 mm (10 in.) from fully retracted to fully extended, or damage to the drive unit will occur.

### Mounting the Drive Unit

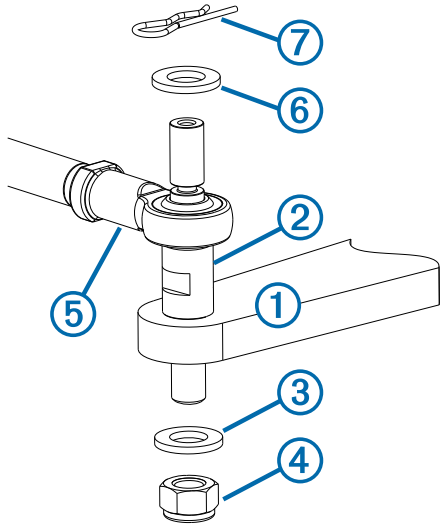
Hardware is supplied to fasten the drive unit to the mounting surface. The supplied M8 bolts, washers, and nuts are suitable for mounting the cylinder on a surface between 12 mm (0.47 in.) and 24 mm (0.95 in.) thick.

- 1 With the drive unit in the mounting location, mark the locations of the four mounting holes on the surface.
- 2 Verify the marked locations.  
The marked locations should be 76.2 mm (3 in.) apart.
- 3 Drill 8.8 mm (0.35 in.) holes through the mounting surface.
- 4 Secure the drive unit to the mounting surface using the supplied M8 bolts, washers, and nuts.
- 5 Tighten the bolts to 17 Nm (12.5 ft-lbf).

### Installing the Tiller Pin

The supplied tiller bolt is suitable for a quadrant or tiller arm thickness of 12 to 16 mm (0.47 to 0.63 in.).

- 1 Drill a 12.2 mm (0.48 in.) hole in the quadrant or tiller arm ① (not included) for the tiller bolt.

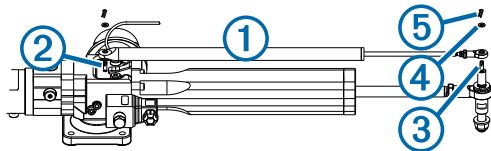


- 2 Place the tiller bolt ② into the quadrant or tiller arm, and secure it with the M12 washer ③ and the M12 lock nut ④.  
It is recommended to apply Loctite 638, or an equivalent retaining compound, to the tiller bolt where it passes through the quadrant or tiller arm.
- 3 Place the drive unit rod ⑤ on the tiller bolt.
- 4 Fasten the rod to the tiller bolt with the other M12 washer ⑥ and the locking pin ⑦.

### Installing the Feedback Sensor

To use the drive unit with a Garmin autopilot, the feedback sensor must be installed after the drive unit has been installed.

- 1 Place the base of the feedback sensor ① on the pin at the top of the drive unit ②.



- 2 Extend the rod of the feedback sensor if necessary, and place it on the top of the tiller pin ③.
- 3 Secure the feedback sensor to the tiller pin with the included M5 washer ④ and locking pin ⑤.

- 4 Secure the feedback sensor to the pin at the top of the drive unit with the other included M5 washer and other locking pin.

### Connecting the Drive Unit to a Garmin Autopilot

#### NOTICE

The cables connected to the drive unit should not be cut, because cutting the drive-unit cables voids your warranty.

Consult the installation instructions provided with your Garmin autopilot to install the autopilot components and to connect the drive unit to the correct component.

### Maintenance

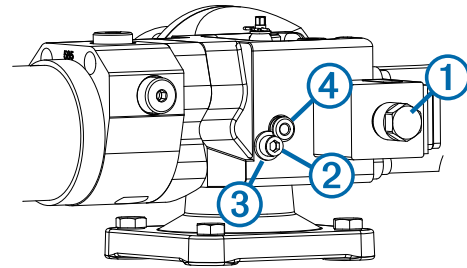
To maximize the life of your drive unit, these maintenance guidelines should be observed.

- The cylinder rod should be kept free from damage.
- The drive unit should not be exposed to salt water.
- The mounting hardware and the tiller-bolt hardware should be inspected on a regular basis, and any components should be tightened if necessary.
- The rod end and the tiller bolt should be kept lubricated with marine-grade grease. Only high-quality marine grease that is compatible with nitrile seals should be used.

### Removing the Drive Unit from the Base

The drive unit can be removed from the base for service, if needed.

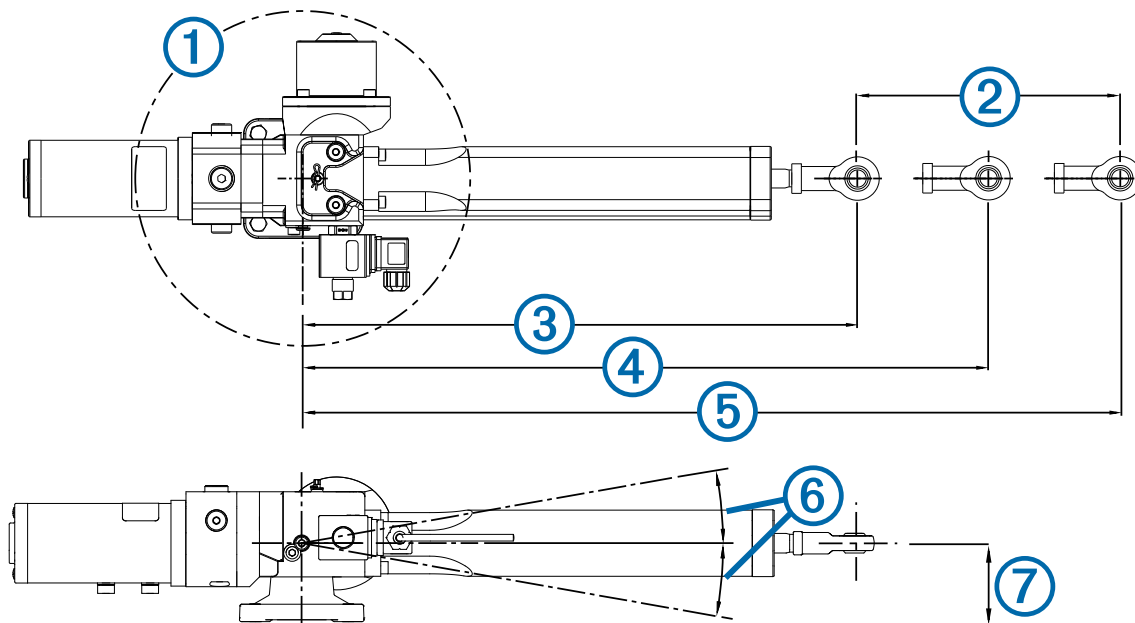
- 1 Remove the motor coil, secured by a 17 mm nut ①.
- 2 Loosen and remove the allen screw ② and retaining plate ③.



- 3 Remove the mounting pin ④ to release the drive unit from the base.

If the pin is difficult to remove, you can remove the plastic cap from the head of the pin and insert the screw you removed in step 2 to provide a grip for pliers.

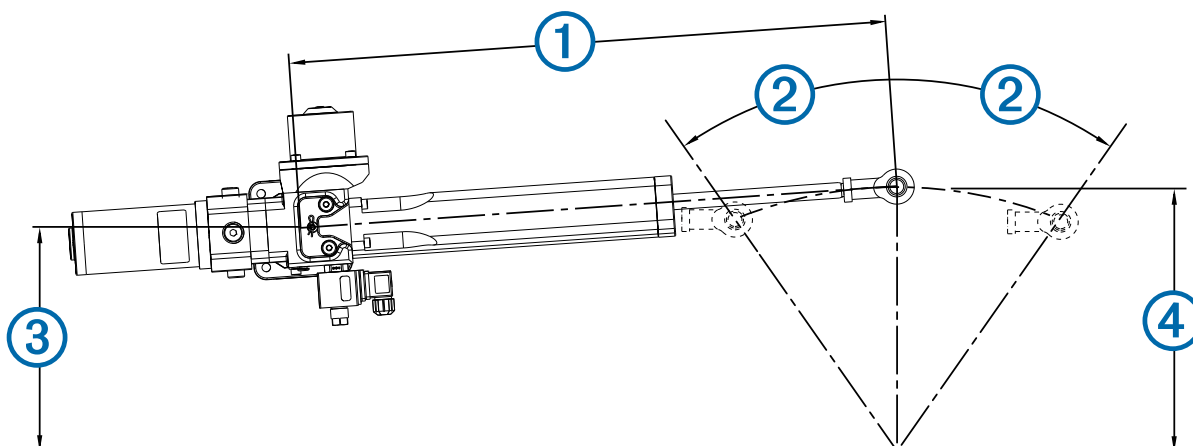
## Drive Unit Dimensions



Item	Description	Measurement
①	Pivot radius.	360°
②	Stroke distance from fully retracted to fully extended.	254 mm (10 in.)
③	Distance from the center of the mount to the tiller bolt when the rod is fully retracted.	446.5 mm (17.58 in.)
④	Distance from the center of the mount to the tiller bolt when the rudder is amidships.	573.5 mm (22.58 in.)
⑤	Distance from the center of the mount to the tiller bolt when the rod is fully extended.	700.5 mm (27.58 in.)
⑥	Maximum tilt angle of the drive unit when it is at the extremes of the stroke. <b>Exceeding this angle will damage the drive unit.</b>	10° above or below center
⑦	Distance from the center of the drive unit rod to the base of the drive unit when at rest.	64 mm (2.52 in.)

## Drive Unit Installation Example

This example shows a typical cylinder installation on a 213 mm (8.39 in.) quadrant or tiller arm with a total rudder angle of 70° (2 × 35°).



Item	Description	Measurement
①	Distance from the center of the drive unit base to the tiller bolt when the rudder is amidships.	575.8 mm (22.63 in.)
②	Degree of travel from amidships to the installed physical stops.	35°
③	Distance from the center of the drive unit base to the relative location of the rudder post.	174.7mm (6.88 in.)
④	Distance from the center of the tiller bolt to the rudder post.	213 mm (8.39 in.)

## Specifications

Specification	Value
Input voltage	12 Vdc (regulated by the autopilot)
Current rating at 100% duty (continuous)	12.5 A
Current rating at 50% duty	17.5 A
Current rating at 25% duty	22.5 A
Current rating with intermittent duty (peak current at max. load)	25 A
Max. operating thrust	6900 N (1,551 lbf) (intermittent)
Clutch coil	12 W
Weight	9 kg (19.84 lbs)
Water-ingress protection	IP67
EMC protection	BS EN 60945:2002 (DC)
Ignition protection	BS EN 8864:1990
Operating temperature (normal)	5° to 35°C (41° to 95°F)
Operating temperature (limits)	-15° to 50°C (5° to 122°F)

**Garmin International, Inc.**  
1200 East 151st Street  
Olathe, Kansas 66062, USA

**Garmin (Europe) Ltd.**  
Liberty House, Hounsdown Business Park  
Southampton, Hampshire, SO40 9LR UK

**Garmin Corporation**  
No. 68, Zhangshu 2nd Road, Xizhi Dist.  
New Taipei City, 221, Taiwan (R.O.C.)

Garmin® and the Garmin logo are trademarks of Garmin Ltd. or its subsidiaries, registered in the USA and other countries. These trademarks may not be used without the express permission of Garmin.

Loctite® 638™ is a trademark of Henkel Corporation in the U.S. and elsewhere.