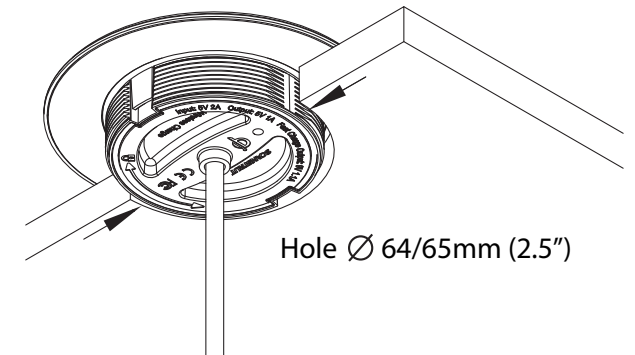
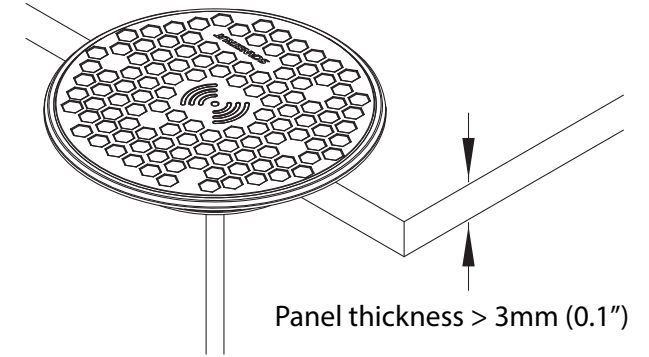
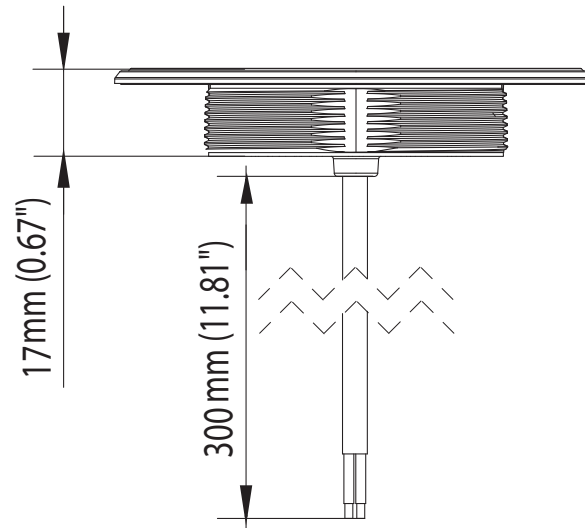
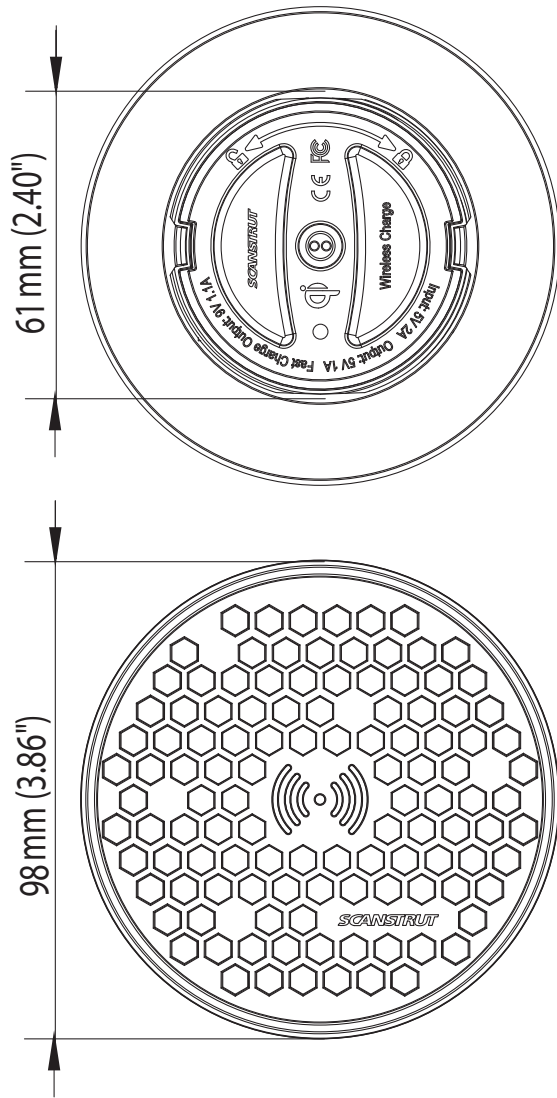


ROKK Wireless Surface - SC-CW-02

For help & information
email: sales@scanstrut.com
tel: +44 (0) 1392 531280



Electrical info:

- Input Voltage Range 12-24V
- Typical Output 5W (5V 1A)
- Fast Charge Output 10W (9V 1.1A)
- Standby Current Draw < 0.1W
- Qi, CE, FCC, ROHS Certified.



* Early release, subject to change.

SCANSTRUT