



WamBlee

Committed to Excellence

W100

W200

EPIRB DEVICE

WORKING AT 406 MHZ AND 121.5 MHZ.

HIGH BRIGHTNESS LED FLASHING
LOCATOR.

HIGH PERFORMANCE AND SENSITIVITY
GPS MODULE FOR BETTER LOCALIZATION
(W200 VERSION)

ONCE ACTIVATED, WILL TRANSMIT FOR A
MINIMUM OF 48 HOURS.

5 YEARS BATTERY LIFE

5 YEARS WARRANTY



W100 W200

Cospas-Sarsat is a satellite system designed to provide distress alert and location data to assist search and rescue (SAR) operations, using spacecraft and ground facilities to detect and locate the signals of distress beacons operating on 406 Megahertz (MHz).

The position of the distress and other related information is forwarded to the appropriate Search and Rescue Point of Contact (SPOC) through the Cospas-Sarsat Mission Control Center (MCC) network. The goal of the System is to support all organizations in the world with responsibility for SAR operations, whether at sea, in the air or on land.

The Cospas-Sarsat System provides distress alert and location data to Rescue Coordination Centers (RCCs), for 121.5 MHz beacons within the coverage area of Cospas-Sarsat ground stations (Local User Terminals - LUTs), and for 406 MHz beacons activated anywhere in the world.

The Cospas-Sarsat System can determine the position of your 'RESCUE-ME' beacon to within 5km (3 miles) with the standard doppler function, or within a few tens of meters if you use the

W200 version with a GPS device.

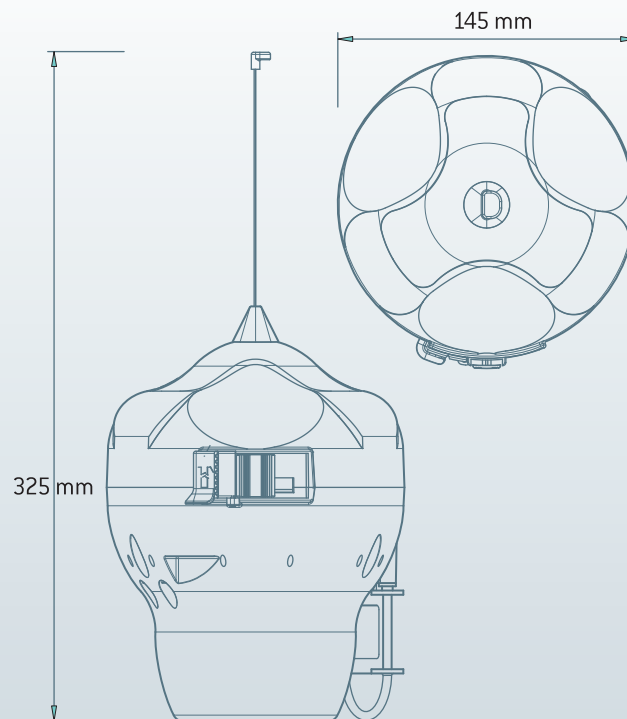
The coded message identifies the exact vessel to which the beacon is registered. This information allows the rescue services to eliminate false alerts and launch an appropriate rescue. The beacon also have a secondary distress transmitter. This transmits on 121.5 MHz and is used for "homing" purposes. When the rescue services get close, this allows them to direction find on the signal. To cater for searches at night, the beacon have 3 high brightness LED's flashing light that aids final visual location.

Since its inception in 1982 the Cospas-Sarsat System has provided distress alert information which has assisted in the rescue of over 22,412 persons in 6,204 distress situations. In 2008 the system provided information which was used to rescue more than 1,500 persons in 500 distress situations. The Cospas-Sarsat Programme assists search and rescue (SAR) activities on a worldwide basis by providing accurate, timely, and reliable distress alert and location data to the international community on a non-discriminatory basis.

TECHNICAL FEATURES

- COSPAR-SARSAT EPIRB
- UHF: 406.040 MHz, 5 W typ., biphasic modulation L 1.1 rad.
- VHF: 121.5 MHz, 100 mW typ., A3X (homing) modulation.
- Antenna type: flexible, vertical polarization, omni directional.
- Integrated high sensitivity 12 channels GPS module (W200 version).
- Message format: EPIRB national, standard and ULP, MMSI and radio call sign.
- Light beacon: High Power LED diodes (3), flash 70 mS every 20 times/min.
- Light level: > 0.75 candelas over 75% horizontal plane.
- Beacon operation: automatic activation with seawater sensors within 5 seconds of immersion. Manual activation by sealed switch and security lock.
- Reflective area: > 35 cm²
- Power supply: primary batteries LiFeS₂, L91 type.
- Battery lifetime: 5 years.
- Operational life: 48 hours min. at -20° C.
- Working temperature: from -20° to +55° C (Class 2).
- Storage temperature: from -30° to +70° C.
- Waterproof: up to 10 meters immersion.
- Dimension: 325 x 145 mm (H x D)
- Weight: 1.1 Kg.
- Color: Yellow RAL 1028 almost 50% surface.
- Accessory: manual bracket (included)

Order code	Description	Packing quantity
P20004	W100 EPIRB 406 Mhz	1
P20005	W200 EPIRB 406 Mhz GPS	1



Standard approved: COSPAS-SARSAT T.001 class 2, RTCM SC110-STD Version 2 Class 2, IEC61097-2, EN60945.



WamBlee

Committed to Excellence

WamBlee s.r.l. - via Vittori, 19 - 48018 Faenza - tel. +39 0546 623891
e-mail: info@wamblee.it - www.wamblee.it



Reg. 9257-A
ISO9001:2008